

1 2 3 4 5 6 7 8

A

B

C

D

E

F

G

H

A

B

C

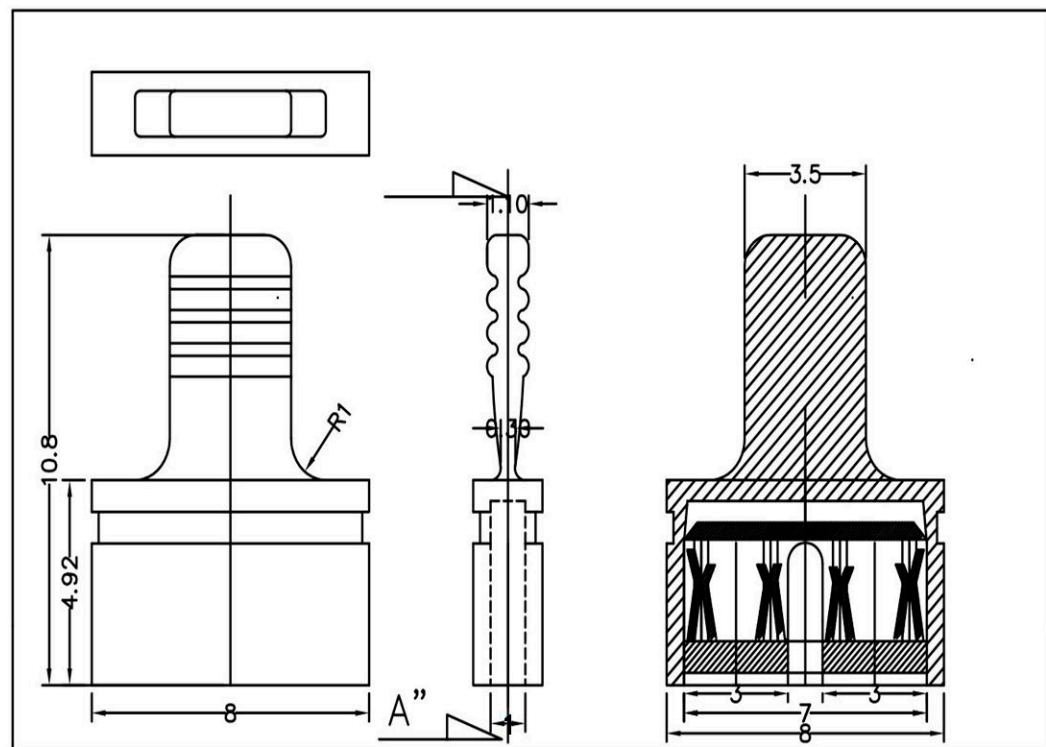
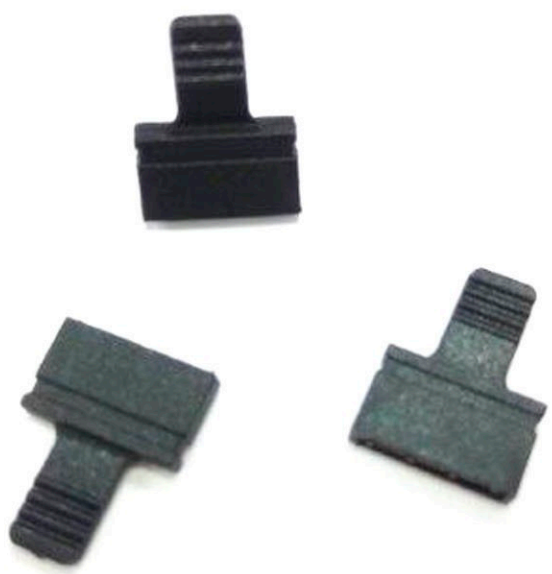
D

E

F

G

H



FEATURES

Double tuning fork type contact guarantees high reliability.
2.0MM pitch Low-Profile mini type Match to 0.50mm sq. posts.

MATERIAL

- . Insulator. NY-66
- . Contact. Gold Plated
- . Terminal. 5191 Phosphor Bronze

SPECIFICATIONS

- . Current Rating: 3 amperes MAX
- . Contact Resistance: 30mΩ MAX
- . Insulation Resistance: 1000 megohms MAX
- . Dielectric Withstanding Voltage: AC 650 volts RMS at sea level

<p>RoHS Compliant</p>		<p>HSM 玄茂科技股份有限公司 HSUAN MAO TECHNOLOGY CO., LTD.</p>	
<p>APPD. 核准</p>		<p>TOLERANCE 容許公差</p> <p>0 ±</p> <p>.00 ±</p> <p>ANG ±</p>	<p>PART NAME 品名</p> <p>2.0mm MINI JUMPER H:10.8mm 1X4P CLOSE TYPE GOLD FLASH PLATING BLACK COLOR ROHS</p>
<p>DWG. 製圖</p> <p><i>Helen</i></p>	<p>SCALE 比例</p> <p>參考</p>	<p>UNIT 單位</p> <p>MM</p>	<p>PART NO.</p> <p>料號 C2724-04HBGB00R</p>
<p>DATE 制表日</p> <p>2017/9/18</p>	<p>PAGE 張數</p> <p>1 OF 1</p>	<p>SIZE 紙張尺寸</p> <p>A4</p>	

1 2 3 4 5 6 7 8