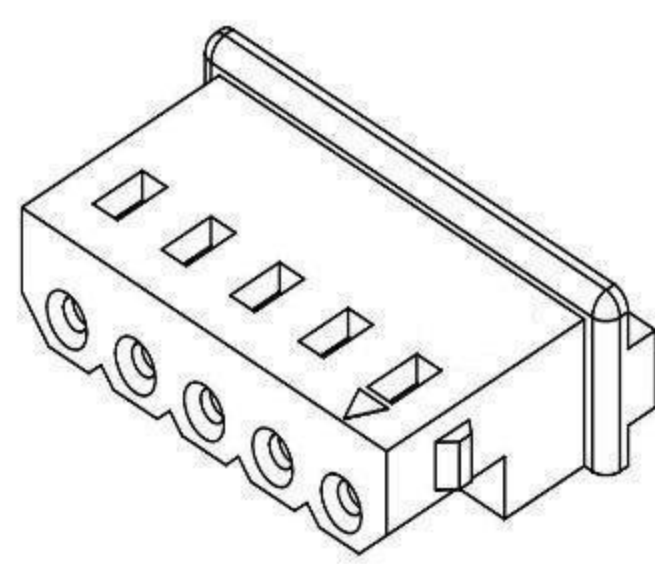
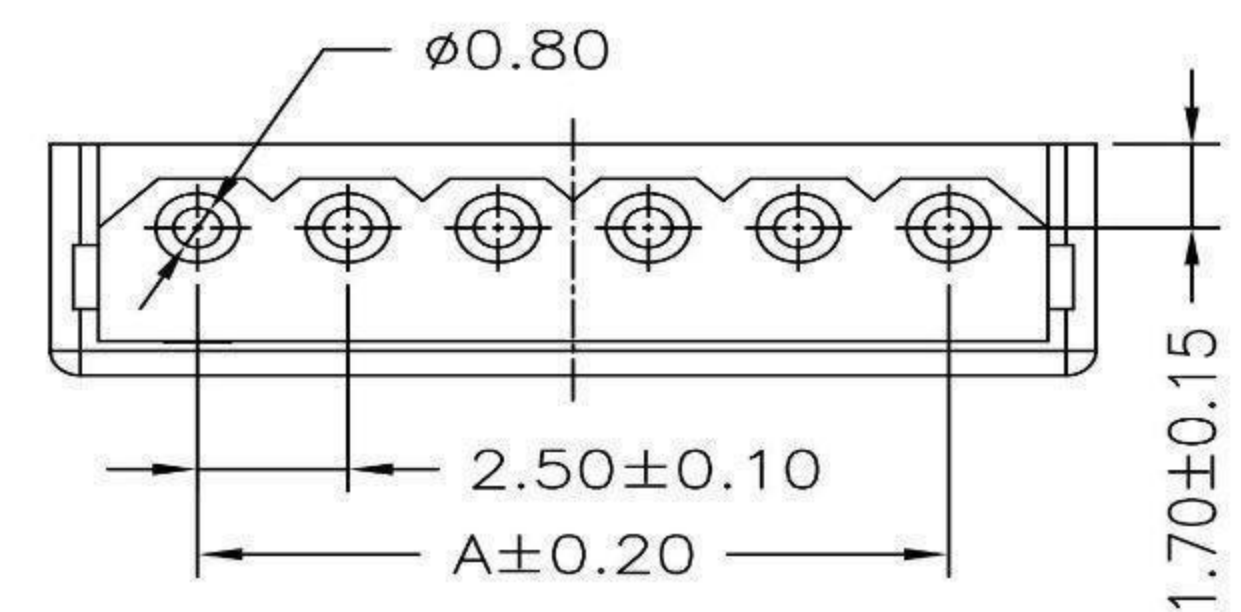


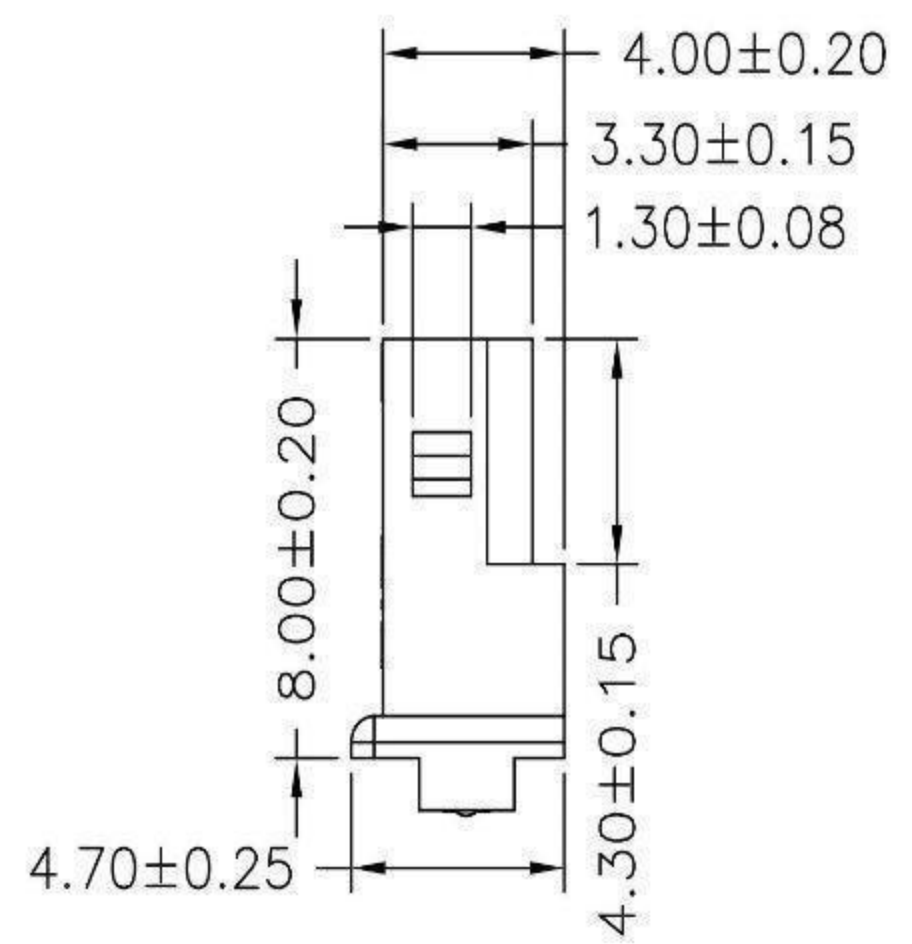
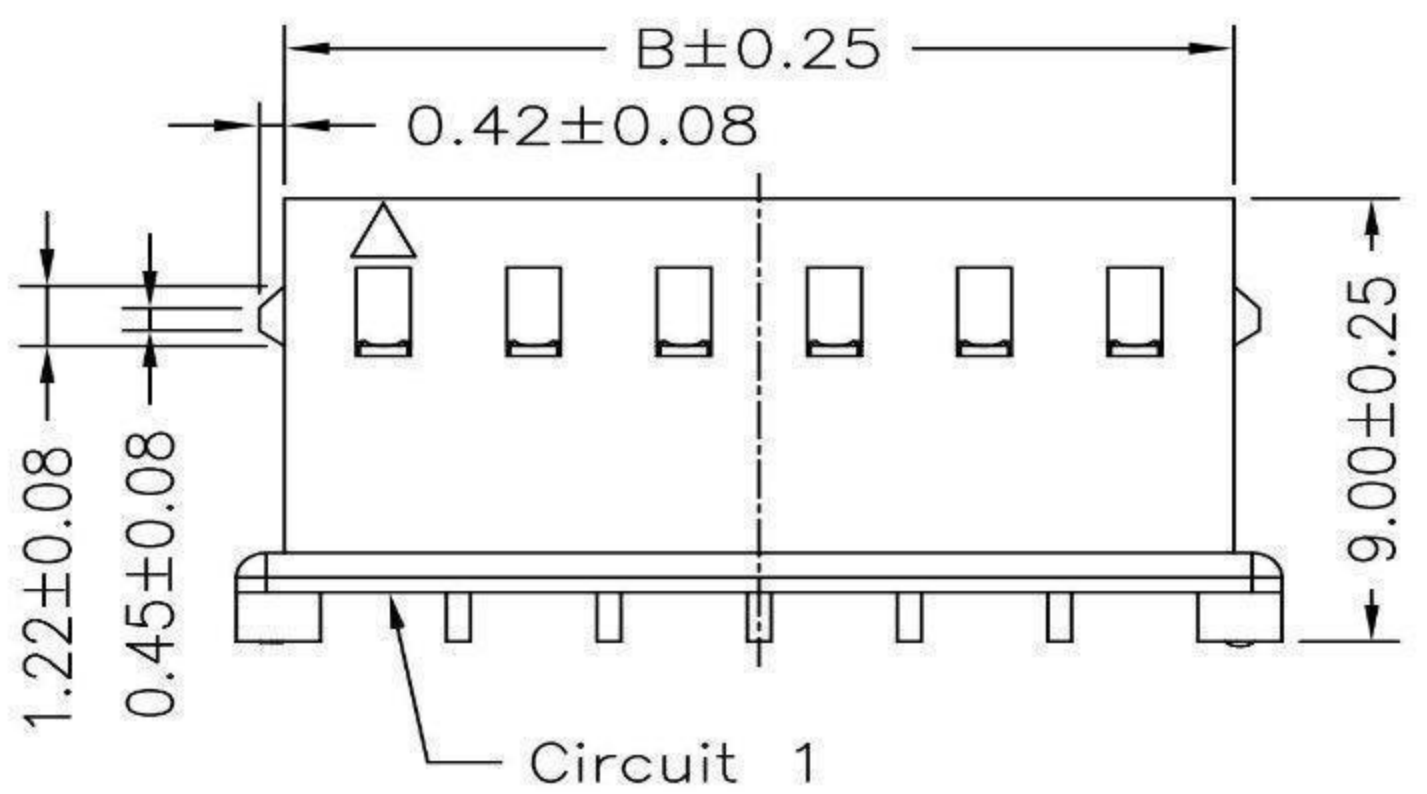
1 2 3 4 5 6 7 8

A  
B  
C  
D  
E  
F  
G  
H

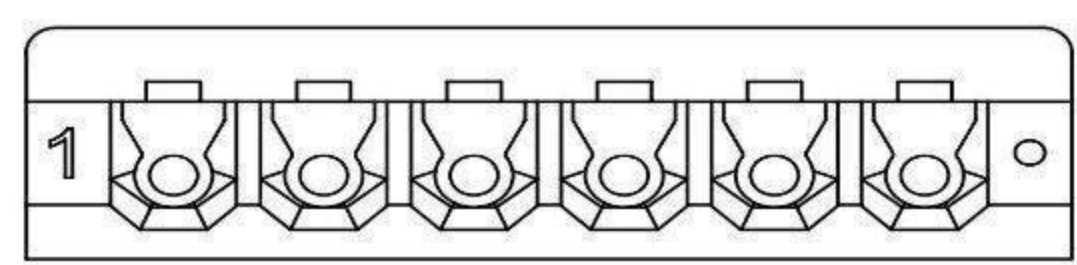
A  
B  
C  
D  
E  
F  
G  
H



**SPECIFICATIONS**  
 Current Rating: 3A AC,DC  
 Voltage Rating: 250V AC,DC  
 Temperature Range: -25°C ~ +85°C  
 Contact Resistance: 20mΩ Max.  
 Insulation Resistance: 1000MΩ Min.  
 Withstanding Voltage: 1000V AC/minute  
 Housing: Nylon66-V0, Beige(7506C)



Circuit No.	Dimensions		Circuit No.	Dimensions	
	A	B		A	B
02P	2.50	5.80	10P	22.50	25.80
03P	5.00	8.30	11P	25.00	28.30
04P	7.50	10.80	12P	27.50	30.80
05P	10.00	13.30	13P	30.00	33.30
06P	12.50	15.80	14P	32.50	35.80
07P	15.00	18.30	15P	35.00	38.30
08P	17.50	20.80	16P	37.50	40.80
09P	20.00	23.30			



H 2530 — 02 P W 0 0 0 0 R

- |                           |  |                     |
|---------------------------|--|---------------------|
| 1. PRODUCTS:<br>H:Housing | 4. CONTACT TYPE:<br>P:Non Distribution | 7. FILL IT WITH "0" |
| 2. SERIES NO.:<br>2530    | 5. INSULATOR COLOR:<br>W:White         | 8. FILL IT WITH "0" |
| 3. CONTACT NO.:<br>02-15  | 6. FILL IT WITH "0"                    | 9. FILL IT WITH "0" |
|                           |  | 10. R:ROHS          |

<b>RoHS Compliant</b>		<b>HSM 玄茂科技股份有限公司</b> <b>HSUAN MAO TECHNOLOGY CO., LTD.</b>	
APPD. 核准 HELEN	SCALE 比例 参考	TOLERANCE X.X±0.25 X.XX±0.15 X.XXX±0.05	PART NAME 品名 2.5mm HOUSING 1*XXP WHITE COLOR ROHS
DWG. 製圖 ABBY	UNIT 單位 MM	SIZE 紙張尺寸 A4	PART NO. 料號 H2530-XXPW0000R
DATE 制表日 2015/10/12	PAGE 張數 1 OF 1	REV. 版本 C	

1 2 3 4 5 6 7 8