

■ TERMINAL

- Material: Phos. bronze
- Thickness: 0.2mm
- Plating: Tin Plated , Gold Plated
- Wire Range: Suitable for AWG#26~30
- Insulation O.D: 1.40mm(max)
- Q'TY: 10,000 pcs/reel

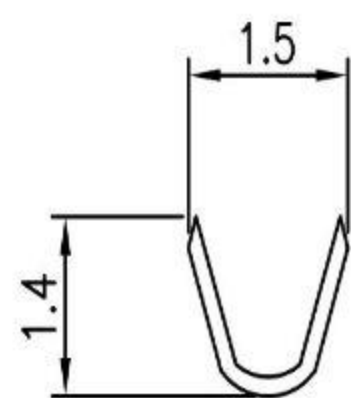
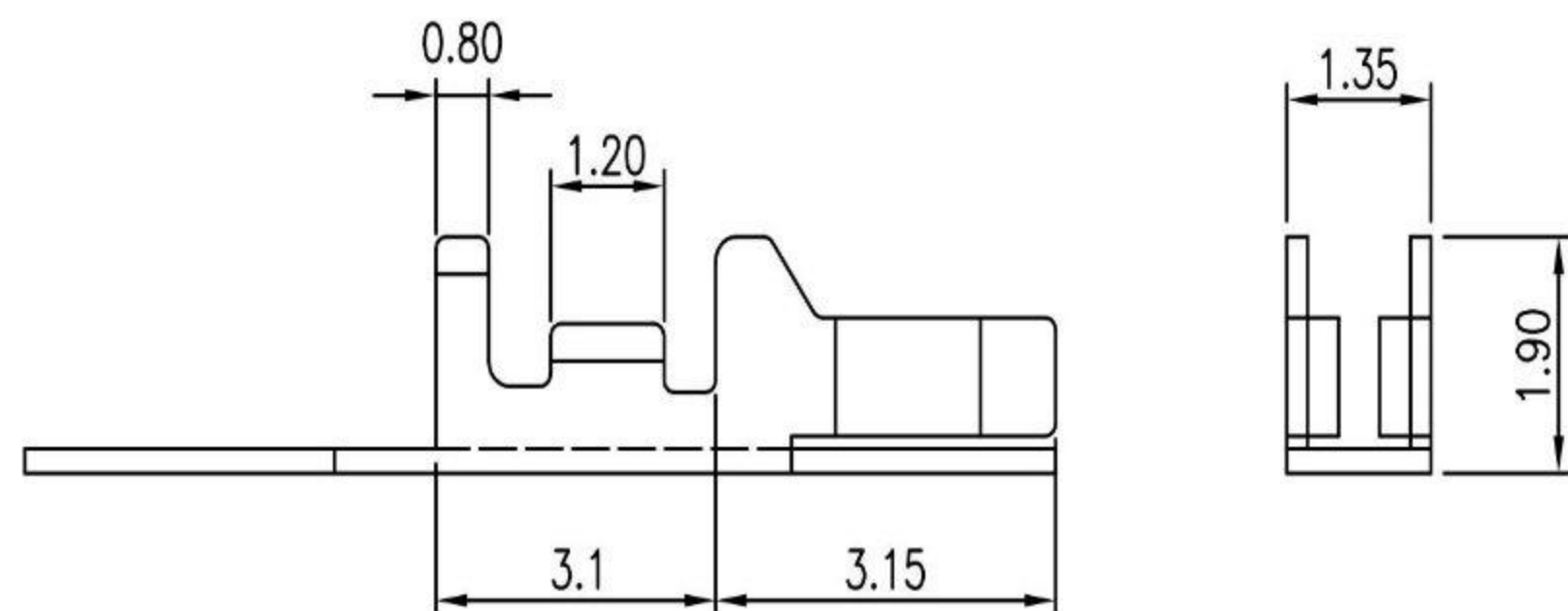
Characteristics:

Current rating: AWG#26、#28 1 A AC, DC
 AWG#30 0.5 A AC, DC

Voltage rating: 250 V AC, DC

Operating temp:-25°C to 85°C

Operating humidity:40~80%



B-B SECTION

Item	Test condition	Require ment
1 Contact resistance	Mate connector:apply a maximum voltage of 20mv and a current of 1A (DC)	Initial : 30mΩ(Max)
2 In sulation resistance	Mate connector:apply of voltage 500 V(DC) Between for 60sec. Adjacent terminals and between terminals to ground.	1000MΩ(Min)
3 Dielectric with standing voltage	Mate connector and apply 650 V AC for one minute between adjacent terminal or ground. Current leakage:1MA	No breakdown.

RoHS Compliant		HSM 玄茂科技股份有限公司 HSUAN MAO TECHNOLOGY CO., LTD.	
APPD. 核准 BETTY		TOLERANCE .0 ±0.25 .00 ±0.15 .000±0.08	PART NAME 品名 HRS 2.0mm TERMINAL PHOSPHOR BRONZE MATERIAL TIN PLATING AWG26~30 1ROLL=10000 PCS ROHS
DWG. 製圖 KAREN	SCALE 比例 參考	UNIT 單位 MM	SIZE 紙張尺寸 A4
DATE 制表日 2013/05/14	PAGE 張數 1 OF 1	REV. 版本 C	PART NO. 料號 T2001-TPN00000R