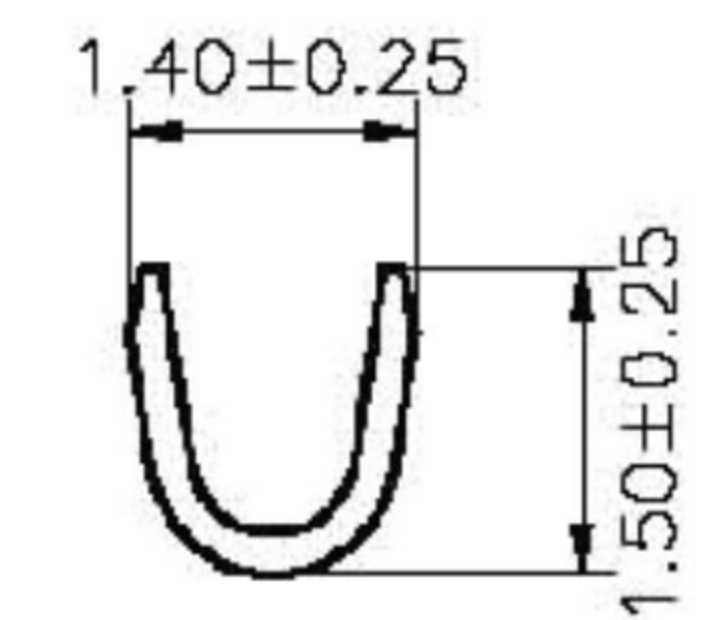
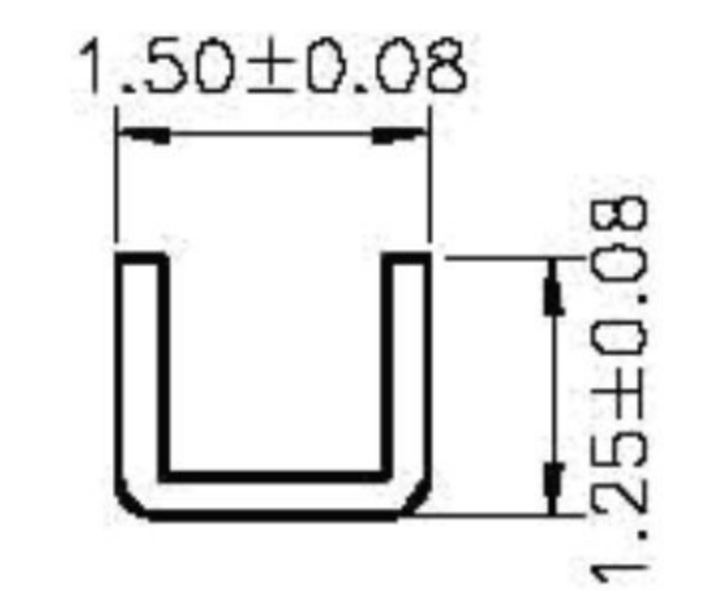


SEC:A-A



SEC:B-B



SEC:C-C

Ordering Information & Specifications

Wire Range	Insulation O.D.	Material	Finish	Qty/reel
AWG#24-#28	1.15mm(max)	Brass	Tin-plated	10,000pcs

Note:Stamping before Tin-plated

RoHS
Compliant

HSM 玄茂科技股份有限公司
HSUAN MAO TECHNOLOGY CO., LTD.

APPD. 核准	HELEN
DWG. 製圖	ABBY
DATE 制表日	2013/01/25

 SCALE 比例 參考	TOLERANCE 容許公差
	X.X±0.25 X.XX±0.15 X.XXX±0.05
UNIT 單位	MM
PAGE 張數	1 OF 1

PART NAME 品名	MOLEX 2.0mm MALE TERMINAL
MATERIAL	BRASS TIN PLATING
SUITABLE FOR	24~28AWG
	(MOLEX 50012 Series) ROHS
PART NO. 料號	T2140-TBL00000R