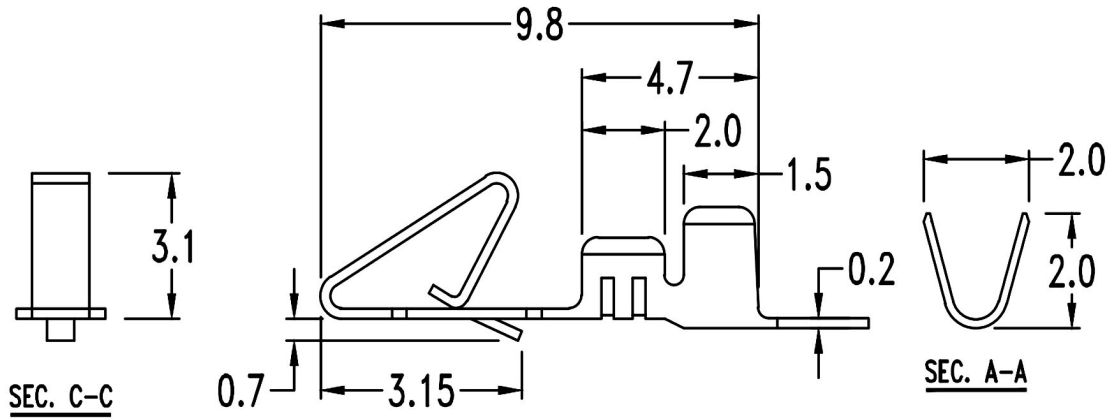
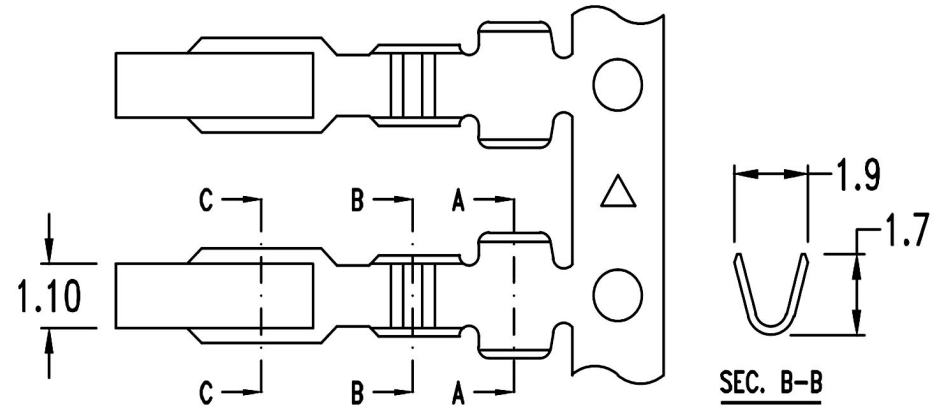


**Features:**

- Wire range: #22 ~ #26 AWG
- Material: Brass
- Tin-plaed ( Lead free )

**Specification:**

- Current rating: 3A
- Voltege rating: 250V AC, DC Max.
- Contact resistance: 20mΩ Max.
- Engagement force: 500g Max. with tin-plated .025"(0.64mm) square pin
- Disengagement Force: 87g Min. for first cycle with tin-plated .025"(0.64mm) square pin
- Terminal retention force: 1.5Kg Min.
- Crimp strength: #22 4.0 Kg Min.  
#24 3.0 Kg Min.  
#26 2.0 Kg Min.
- Ambient temperature range: -40°C ~ 105°C



RoHS Compliant		HSM 玄茂科技股份有限公司 HSUAN MAO TECHNOLOGY CO., LTD.	
APPD. 核准	SCALE 比例 参考	TOLERANCE .000 ± 0.08 .00 ± 0.25 .0 ± 0.4	PART NAME 品名 MX2.5mm TERMINAL BRASS MATERIAL TIN PLATING AWG22~26 ROHS
DWG. 製圖 Betty	UNIT 單位 M M	SIZE. 紙張尺寸 A 4	PART NO. 料號 T2630-TBI00000R
DATE 製表日 2018/07/25	PAGE 張數 1 OF 1	REV. 版次 C	