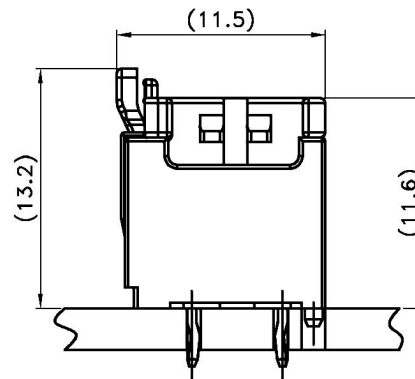
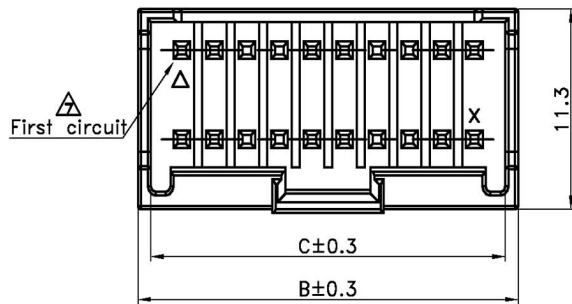
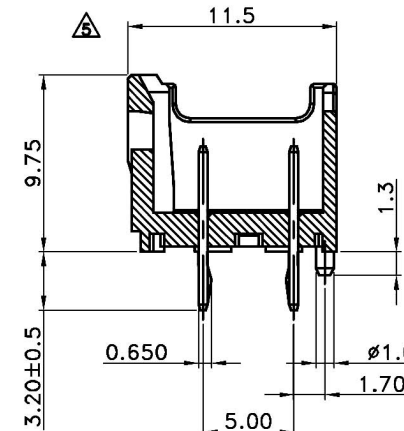


Recommended PCB Layout(Top View)



Mated Drawing (REF.)



A-A Section

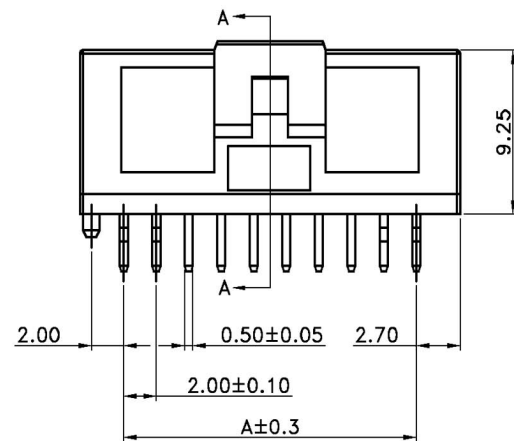
■ SPECIFICATIONS

- Voltage Rating : 250V AC/DC
- Current Rating : 3.0A AC/DC(22#AWG)
- Withstanding Voltage : 1,000V AC/minute
- Insulation Resistance : 1,000M Ω min.
- Temperature Range : - 25 °C to + 85 °C
- Contact Resistance : 20m Ω max.

■ WAFER

- Poles : 8~40(Straight, Double Row)
- Material : Pin : Brass, Tin Plated
Base : (8~28PIN)PBT+15 %G.F UL94V-0
(30~40PIN)PBT+30 %G.F UL94V-0
- Packing : Tube Packing

| Poles | Dimensions (mm) | | |
|-------|-----------------|------|------|
| | A | B | C |
| 4x2 | 6.0 | 11.4 | 9.8 |
| 5x2 | 8.0 | 13.4 | 11.8 |
| 6x2 | 10.0 | 15.4 | 13.8 |
| 7x2 | 12.0 | 17.4 | 15.8 |
| 8x2 | 14.0 | 19.4 | 17.8 |
| 9x2 | 16.0 | 21.4 | 19.8 |
| 10x2 | 18.0 | 23.4 | 21.8 |
| 11x2 | 20.0 | 25.4 | 23.8 |
| 12x2 | 22.0 | 27.4 | 25.8 |
| 13x2 | 24.0 | 29.4 | 27.8 |
| 14x2 | 26.0 | 31.4 | 29.8 |
| 15x2 | 28.0 | 33.4 | 31.8 |
| 16x2 | 30.0 | 35.4 | 33.8 |
| 17x2 | 32.0 | 37.4 | 35.8 |
| 18x2 | 34.0 | 39.4 | 37.8 |
| 19x2 | 36.0 | 41.4 | 39.8 |
| 20x2 | 38.0 | 43.4 | 41.8 |



RoHS Compliant

HSM 玄茂科技股份有限公司
HSUAN MAO TECHNOLOGY CO., LTD.

APPD. 核准 Betty
DWG. 製圖 Betty
DATE 制表日 2013/10/04

SCALE 比例 參考
UNIT 單位 MM
PAGE 張數 1 OF 1

TOLERANCE 容許公差
.0 ± 0.30
.00 ± 0.20
ANG. ± 3°
SIZE. 紙張尺寸 A 4
REV. 版次 A

PART NAME 品名
2.0mm WAFER STRAIGHT TYPE
DUAL ROWS 2XXXP TIN PLATED
TUBE PACKING WHITE COLOR ROHS

PART NO. 料號
W2114-XXPDSTTWR