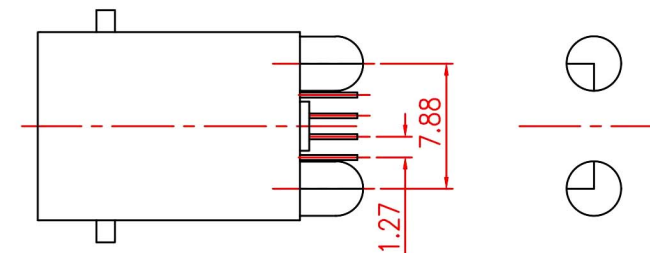
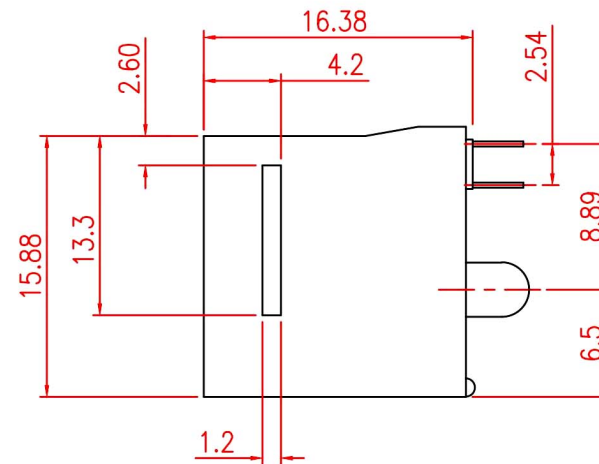
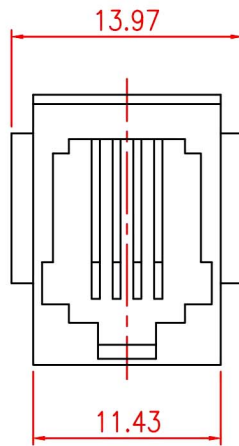


PCB Layout



Materials

Housing: Glass Filled Polyester UL94V-0,Black

Contact:0.45mm Diameter Phosphor Bronze Gold
Plating Over Nickel

Electrical Characteristics:

Insulation Resistance:500MΩ Min.

Contact Resistance:30mΩ Max.

Withstand Voltage:1000VAC 1minute.

Current Rating:1.5A

General tolerance:±0.2mm General angle tolerance:±2°

RoHS Compliant		HSM 玄茂科技股份有限公司 HSUAN MAO TECHNOLOGY CO., LTD.	
APPD. 核准 HELEN	SCALE 比例 参考	TOLERANCE 容許公差 .0 ± .00 ± ANG. ±	PART NAME 品名 TOP ENTRY PCB JACK 4P4C W/PANEL STOP HALF ROUND FOOT ROHS
DWG. 製圖 ABBY		UNIT 單位 M M	SIZE. 紙張尺寸 A 4
DATE 制表日 2015/11/03	PAGE 張數 1 OF 1	REV. 版次 A	PART NO. 料號 C0052-44AHXX00R