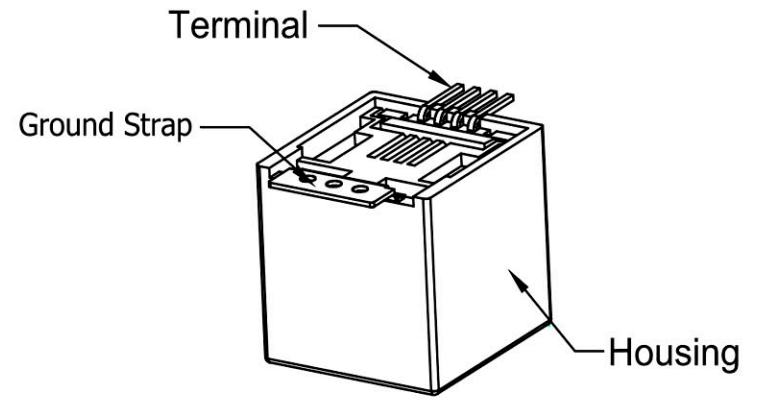


RECOMMENDED PCB LAYOUT
TOP VIEW
TOLERANCE: ±0.05mm

Electrical Characteristics :
 Insulation Resistance : 500MΩ Min.
 Contact Resistance : 50mΩ Max.
 Withstand Voltage : 1000 VAC 1 minute.
 Current Rating : 1.5A

Material:
 Housing: High-Thermoplastic UL94V-0
 Contact : Selective Gold Plating
 Terminal: 0.35mm Thickness Copper Alloy
 Plated With Gold And Tin In Solder Area.
 Ground Strap: Alloy



RoHS Compliant		HSM 玄茂科技股份有限公司 HSUAN MAO TECHNOLOGY CO., LTD.	
APPD. 核准 DWG. 製圖 DATE 制表日 2016/9/26	<i>Helen</i>	TOLERANCE 容許公差 0 ± 0.35 .00 ± 0.25 ANG. ± 3° UNIT 單位 M M PAGE 張數 1 OF 1	PART NAME 品名 TOP ENTRY P. C. B. JACK 4P4C BRACKET W/ 3 HOLES BLACK COLOR FLAT PIN PIN:TIN PLATED TAPE&REEL PACKING ROHS PART NO. 料號 C0053-44BxB000R