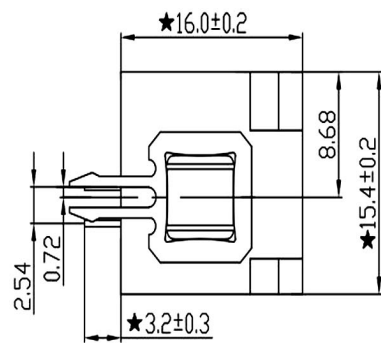
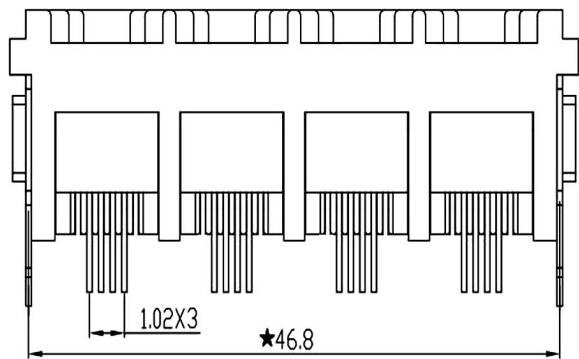


1 2 3 4 5 6 7 8

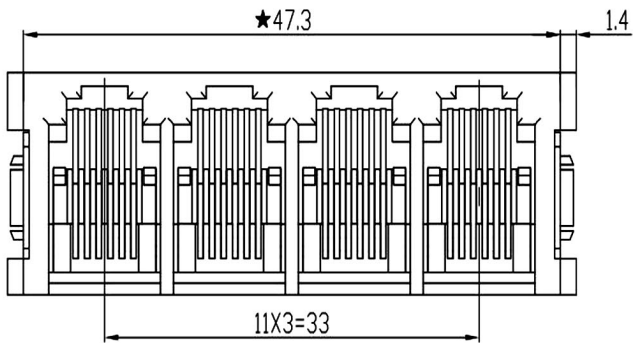
A



B

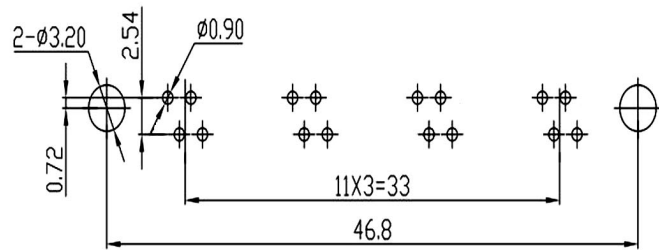
C

D



E

F



PC Board Layout

H

NOTES:

ELECTRICAL:

- 1. VOLTAGE RATING : 125 VAC RMS.
- 2. CURRENT RATING : 1.5 AMP.
- 3. CONTACT RESISTANCE : 30 MILLIOHMS MAX.
- 4. INSULATION RESISTANCE : 500 MEGOHMS MIN @ 500 VDC.
- 5. DIELECTRIC STRENGTH : 1000 VAC RMS 50Hz or 60Hz, 1MIN.

MECHANICAL:

- 1. HOUSING & INSERT MATERIAL : PBT UL94V-0.
- 2. CONTACT MATERIAL : DIAMETER Ø.45MM PHOSPHOR BRONZE GOLD PLATING OVER NICKEL.
- 3. METAL PEG MATERIAL: : IRON/PHOSPHOR BRONZE T=0.4mm WITH TIN PLATED.
- 4. MATING/UNMATING FORCE : 2.2KG.F MAX.
- 5. RETENTION STRENGTH : 7.7KG.F MIN BETWEEN JACK AND PLUG.
- 6. OPERATING LIFE : 600 CYCLES MIN.

ENVIRONMENTAL:

- 1. STORAGE : -10°C ~ +40°C RELATIVE HUMIDITY<70%.
- 2. OPERATION : -40°C ~ +70°C.

Remark:

- 1. Tolerances Unless Otherwise Specified  
 .0±0.25 .00±0.20 .000±0.10
- 2. The mark with ★ is the key inspection dimension for QC

A

B

C

D

E

F

G

H

1 2 3 4 5 6 7 8

|  |  |                            |  |  |  |
|--|--|----------------------------|--|--|--|
| APPD. 核准<br>DWG. 製圖<br>DATE 制表日<br>Betty<br>2016/06/28 |  | RoHS Compliant             | <b>HSM 玄茂科技股份有限公司</b><br><b>HSUAN MAO TECHNOLOGY CO., LTD.</b> |  | PART NAME 品名<br>TOP ENTRY PCB JACK 6P4C 4 JACKS PARALLEL METAL PEGS ROHS |
| SCALE 比例 參考<br>UNIT 單位 M M<br>PAGE 張數 1 OF 1           |  | SIZE 紙張尺寸 A 4<br>REV. 版次 A | PART NO. 料號 C0054-64DAXX00R                                    |  |  |