

1 2 3 4 5 6 7 8

A

B

C

D

E

F

G

H

A

B

C

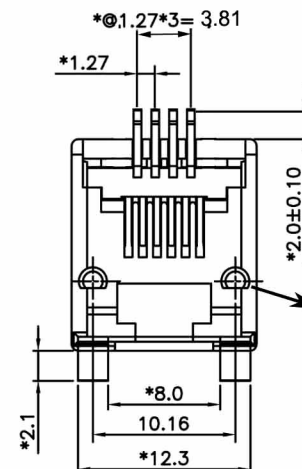
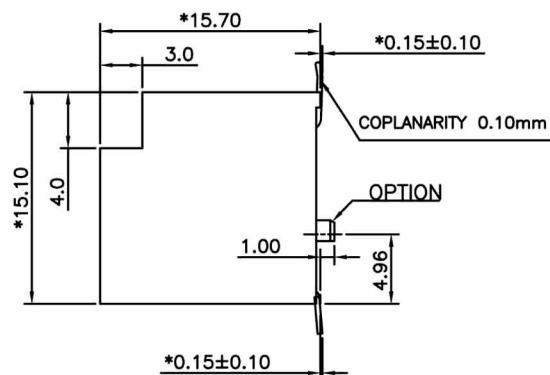
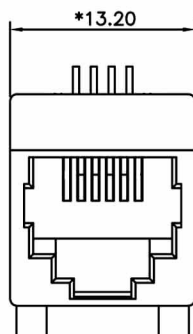
D

E

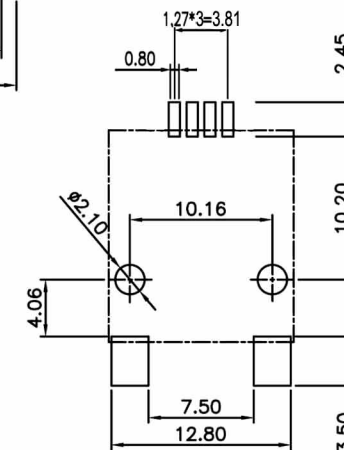
F

G

H



Option 0: w/o plastic peg
Option 1: w/ plastic peg



PCB LAYOUT
COMPONENT SIDE SHOWN

NOTES:

ELECTRICAL:

- 1. VOLTAGE RATING : 125 VAC RMS.
- 2. CURRENT RATING : 1.5 AMP.
- 3. CONTACT RESISTANCE : 35 MILLIOHMS MAX.
- 4. INSULATION RESISTANCE : 1000 MEGOHMS MIN. @ 500 VDC.
- 5. DIELECTRIC STRENGTH : 1000 VAC RMS 60Hz, 1MIN.

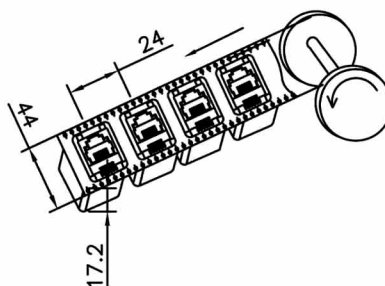
MECHANICAL:

- 1. HOUSING MATERIAL : HIGH TEMP. UL94V-0 BK.
- 2. CONTACT MATERIAL : PHOSPHOR BRONZE t=0.35mm.
- 3. PLATING : GOLD PLATING OVER NICKEL.
- 4. OPERATING LIFE : 750 CYCLES MIN.
- 5. PCB RETENTION POST-SOLDER: 10 LBS MIN.

ENVIRONMENTAL:

- 1. STORAGE : -40°C TO +85°C.
- 2. OPERATION: -40°C TO +85°C.
- 3. IR REFLOW SOLDERING TEMPERATURE: 255°C TO 265°C (5~10 SECONDS).

MATES WITH MODULAR PLUG CONFORMING TO
FCC PART 68, SUBPART F.



**RoHS
Compliant**

HSM 玄茂科技股份有限公司
HSUAN MAO TECHNOLOGY CO., LTD.

APPD. 核准 Lynne
DWG. 製圖 Hedy
DATE 制表日 2007/06/14

SCALE 比例	參考	TOLERANCE 容許公差	X.X ±0.20 X.XX ±0.15 X.XXX ±0.10 ANGLE ±5°
UNIT 單位	MM	SIZE 紙張尺寸	A 4
PAGE 張數	1 / 1	REV. 版次	A

PART NAME 品名
TOP ENTRY PCB JACK M TYPE 6P4C
SMT TYPE BLACK COLOR
ROHS LOW-LEAD
PART NO.
料號 C0055-64DXB00XR

1 2 3 4 5 6 7 8