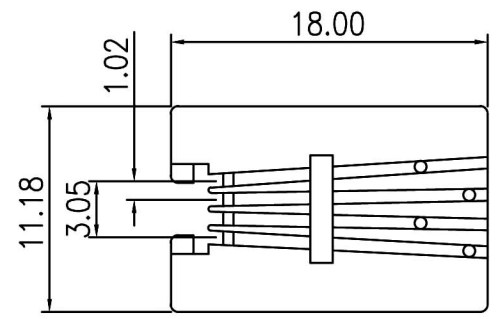
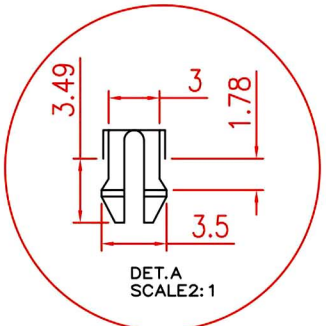
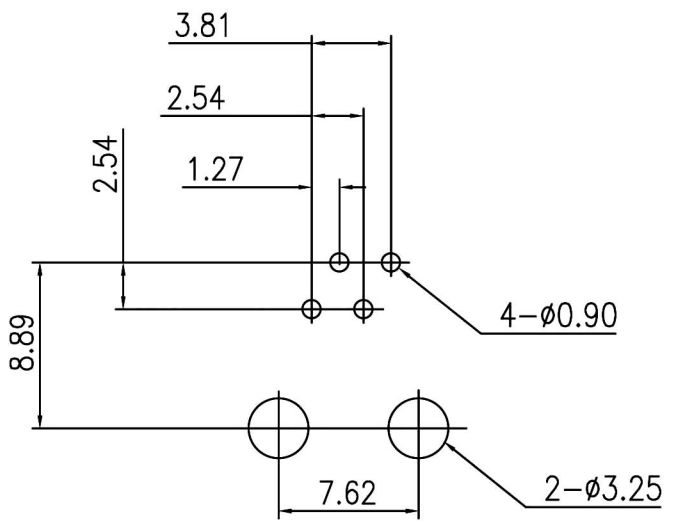


1 2 3 4 5 6 7 8

A  
B  
C  
D  
E  
F  
G  
H

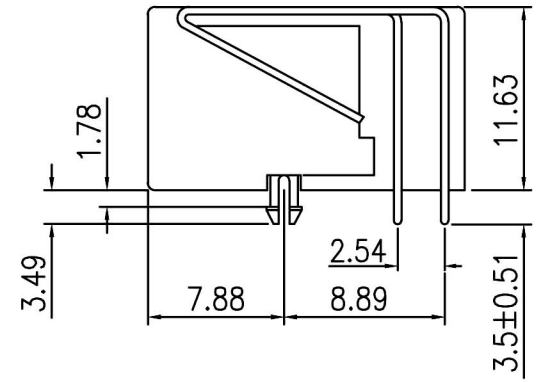
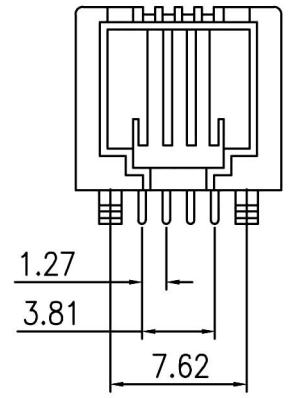


Materials

Housing: Glass Filled Polyester UL94V-0, Black  
 Contact: 0.45mm Diameter Phosphor Bronze Gold Plating Over Nickel

ELECTRICAL:

1. Current Rating : 1.5 AMP
2. Voltage Rating : 150 VAC
3. Contact Resistance : 20 Milliohms MAX
4. Insulation Resistance : 500 Milliohms MIN
5. Dielectric Withstanding Voltage : 500 VAC, 1min



<b>RoHS Compliant</b>		<b>HSM 玄茂科技股份有限公司</b>		<b>HSUAN MAO TECHNOLOGY CO., LTD.</b>	
APPD. 核准 <b>Hedy</b>		TOLERANCE 容許公差 .0 ±0.2MM .00 ± ANG. ±	PART NAME 品名 SIDE ENTRY L/P PCB JACK 4P4C W/O SHIELD GOLD XU" PLATING BLACK COLOR ROHS		
DWG. 製圖 <b>Helen</b>	SCALE 比例 參考	UNIT 單位 MM	SIZE. 紙張尺寸 A 4	PART NO. 料號 <b>C0057-44NXB000R</b>	
DATE 制表日 <b>2018/5/9</b>	PAGE 張數 1 / 1	REV. 版次 C			

1 2 3 4 5 6 7 8