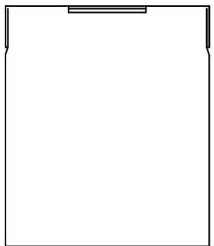


1 2 3 4 5 6 7 8

A  
B  
C  
D  
E  
F  
G  
H

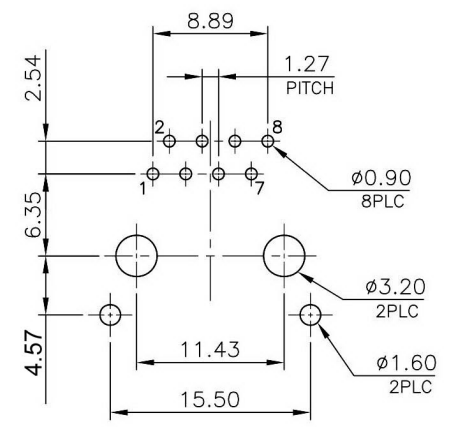
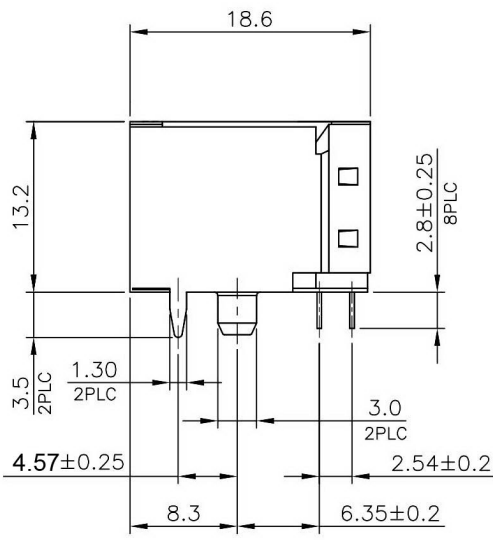
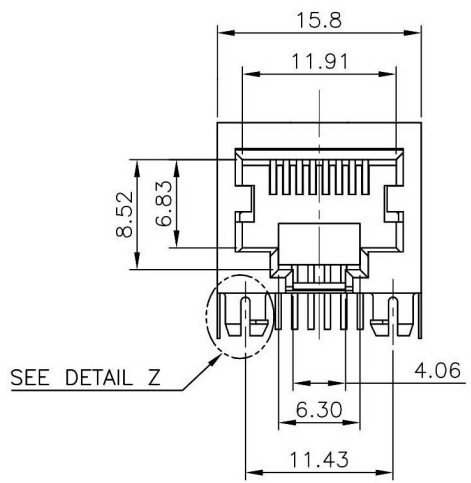
A  
B  
C  
D  
E  
F  
G  
H



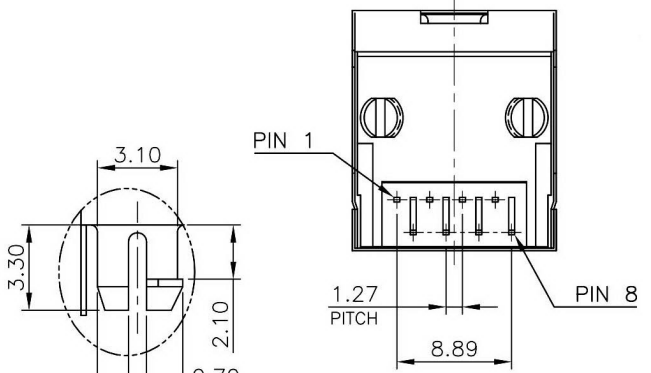
NOTE:  
CAVITY CONFIRMS TO FCC RULES AND REGULATIONS PART 68, SUBPART F.

1. MATERIAL:  
 1.1 HOUSING: PBT, WITH GLASS FIBER, UL94V-0, STANDARD COLOR-BLACK.  
 1.2 INSERT HOUSING: PBT, WITH GLASS FIBER, UL94V-0, STANDARD COLOR-BLACK.  
 1.3 CONTACTS: PHOSPHOR BRONZE.

2. FINISH:  
 2.1 CONTACTS: GOLD PLATED ON CONTACT AREA, GOLD FLASH ON SOLDER TAIL, 1.27μm [50μ"] MIN. NICKEL UNDERPLATED OVERALL.



RECOMMENDED PCB LAYOUT  
 PCB THICKNESS: 1.6mm  
 TOLERANCE: ±0.05mm (TOP VIEW)



DETAIL Z  
SCALE 2:1

1 2 3 4 5 6 7 8

RoHS  
Compliant

**HSM** 玄茂科技股份有限公司  
**HSUAN MAO TECHNOLOGY CO., LTD.**

APPD. 核准	SCALE 比例 參考	TOLERANCES UNLESS OTHERWISE SPECIFIED: 0 PLC ±- 1 PLC ±0.25 2 PLC ±0.13 3 PLC ±0.05 ANGLES ±-
DWG. 製圖 Betty	UNIT 單位 M M	SIZE. 紙張尺寸 A 4
DATE 制表日 2017/05/08	PAGE 張數 1 OF 1	REV. 版次 A

PART NAME 品名 SIDE ENTRY L/P PCB JACK 8P8C FULLY SHIELDED (4.57mm BEFORE PEG) BLACK COLOR ROHS
PART NO. 料號 C0057-88YQB004R