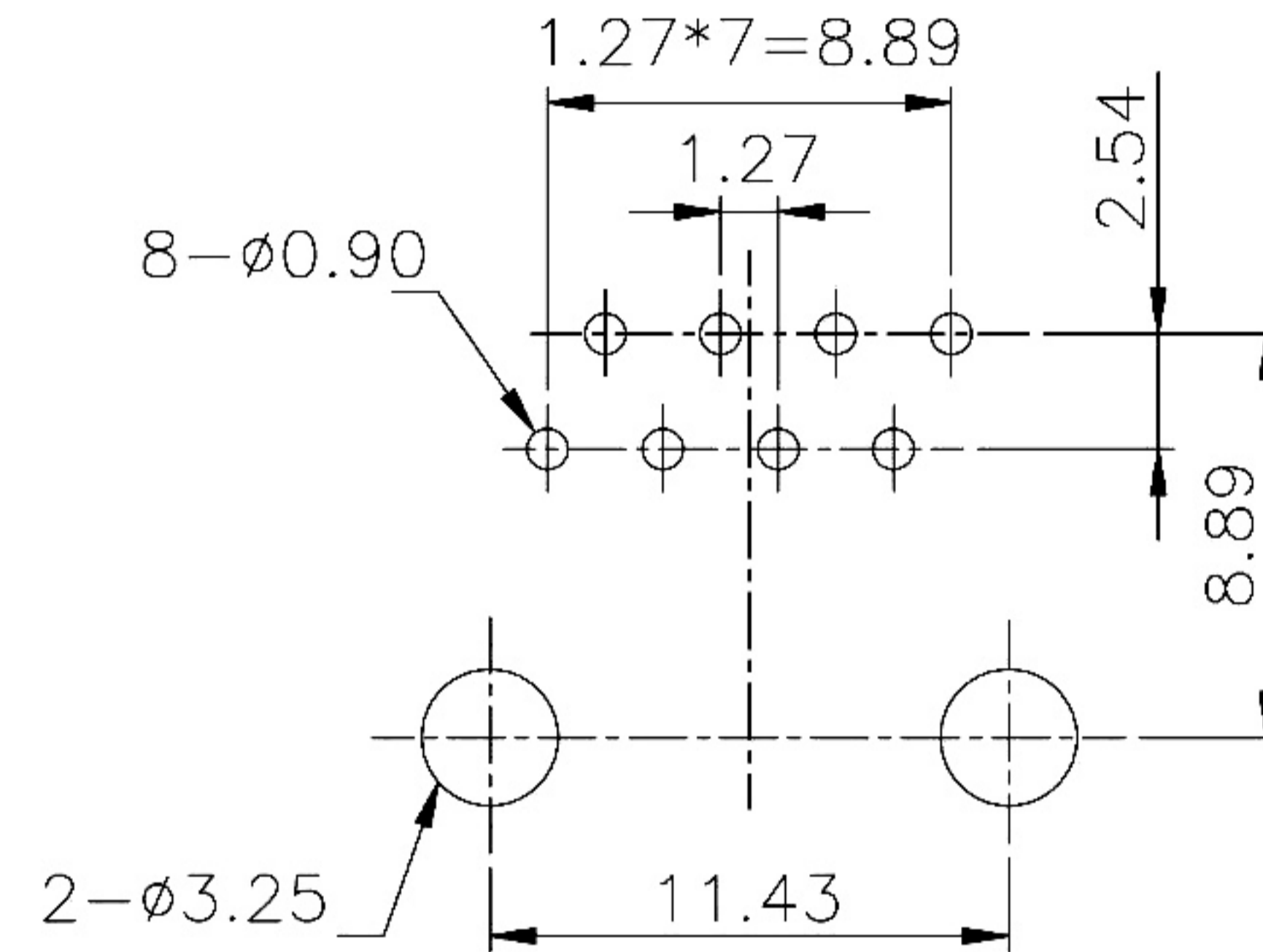


PCB LAYOUT/TOP VIEW



MATERIALS:
 HOUSING:THERMOPLASTIC,UL 94V-0.
 CONTACTS:PHOSPHOR BRONZE.
 PLATING:GOLD PLATING OVER NICKEL IN CONTACT.
 TIN PLATING OVER NICKEL IN SOLDER AREA.

RoHS Compliant		HSM 玄茂科技股份有限公司 HSUAN MAO TECHNOLOGY CO., LTD.	
APPD. 核准	SCALE 比例 参考	TOLERANCE 容許公差	PART NAME 品名
DWG. 製圖 HELEN		.0 ± 0.38 .00 ± 0.25 ANG. ± 3°	SIDE ENTRY PCB JACK 8P8C W/O SHIELD W/ PANEL STOP SPLIT FOOT BLACK COLOR ROHS
DATE 制表日	UNIT 單位 MM	SIZE 紙張尺寸 A4	PART NO.
2012/2/7	PAGE 張數 1 OF 1	REV. 版本 A	料號 C0063-88ASXB00R