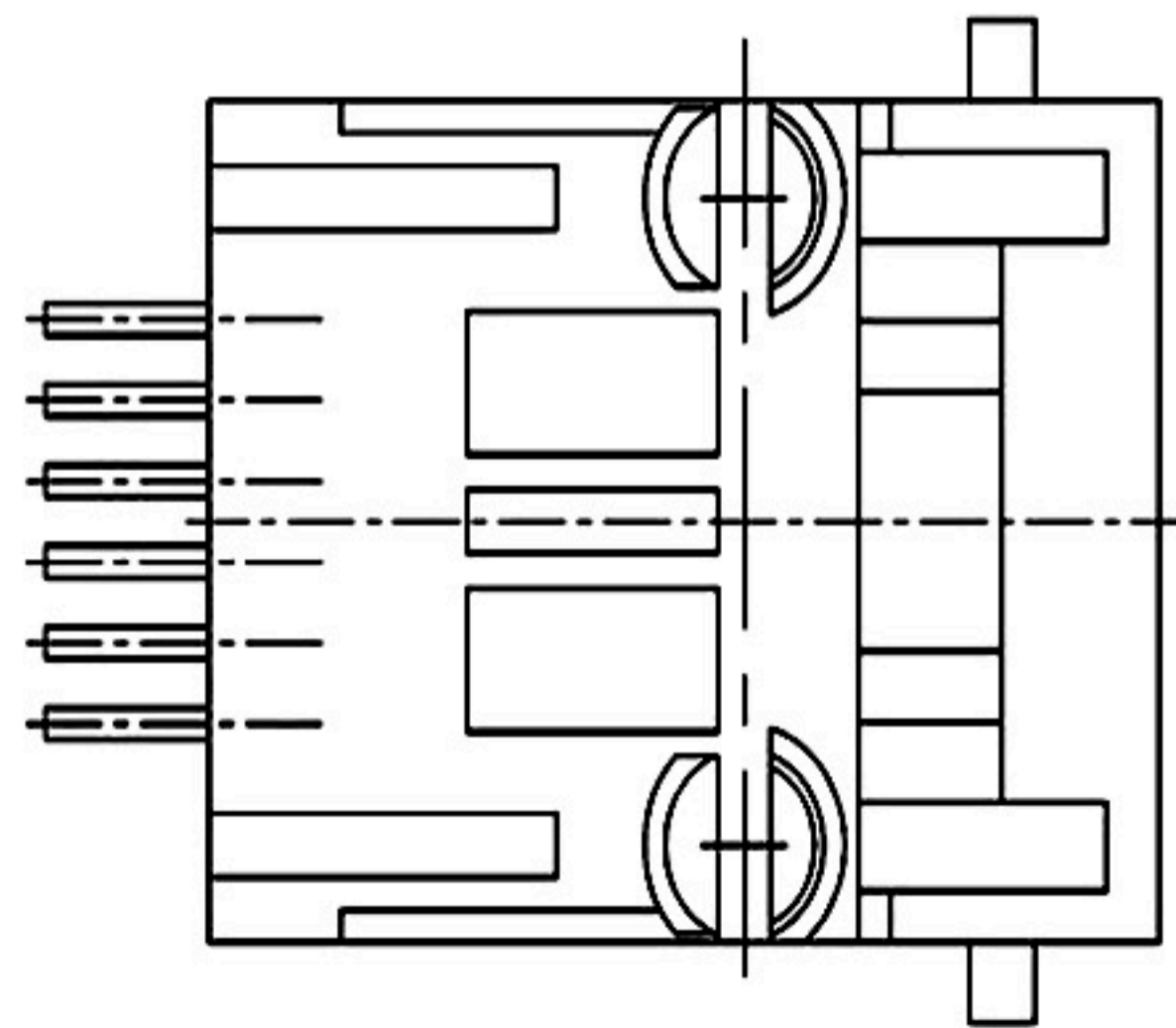
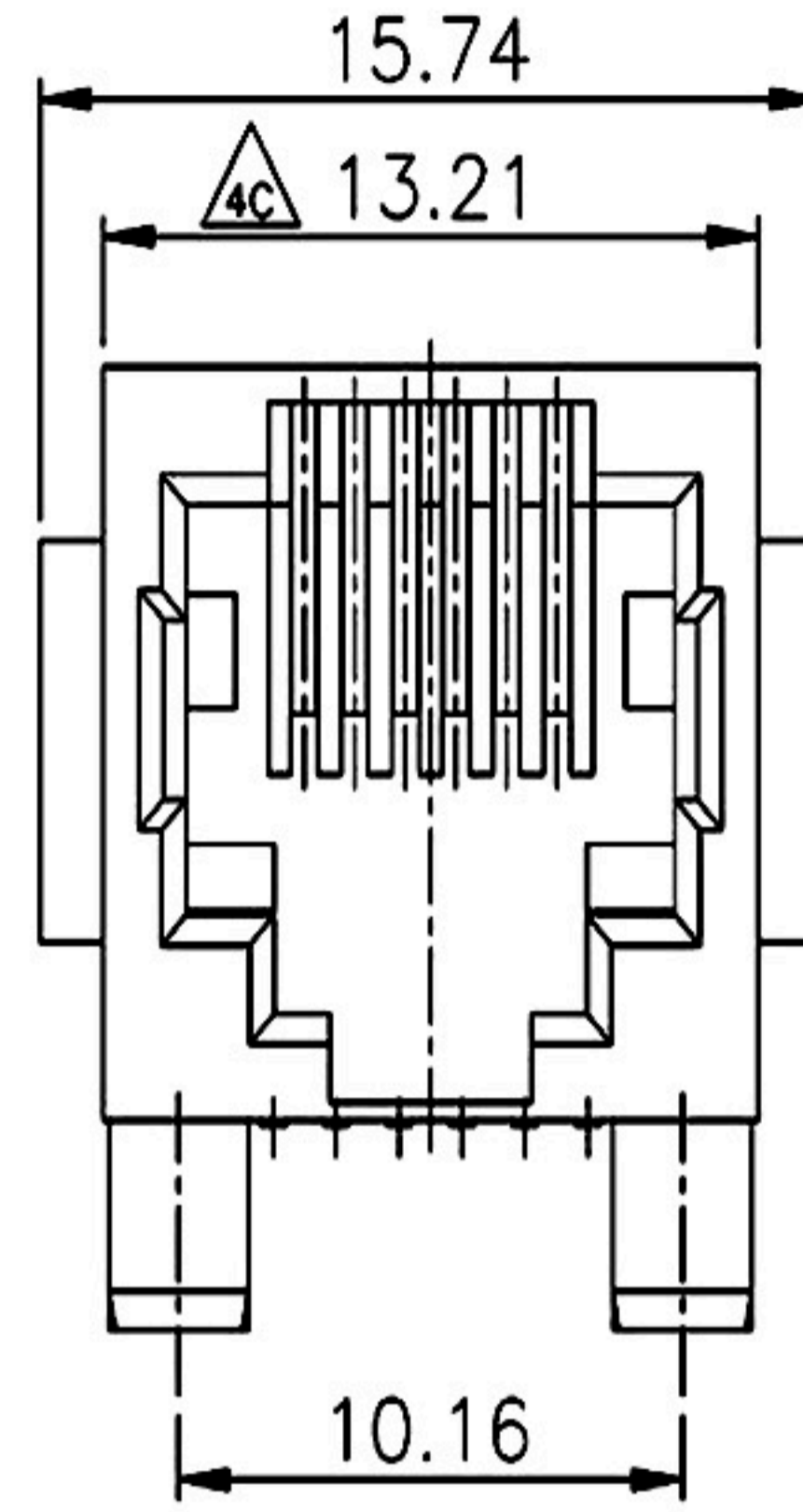
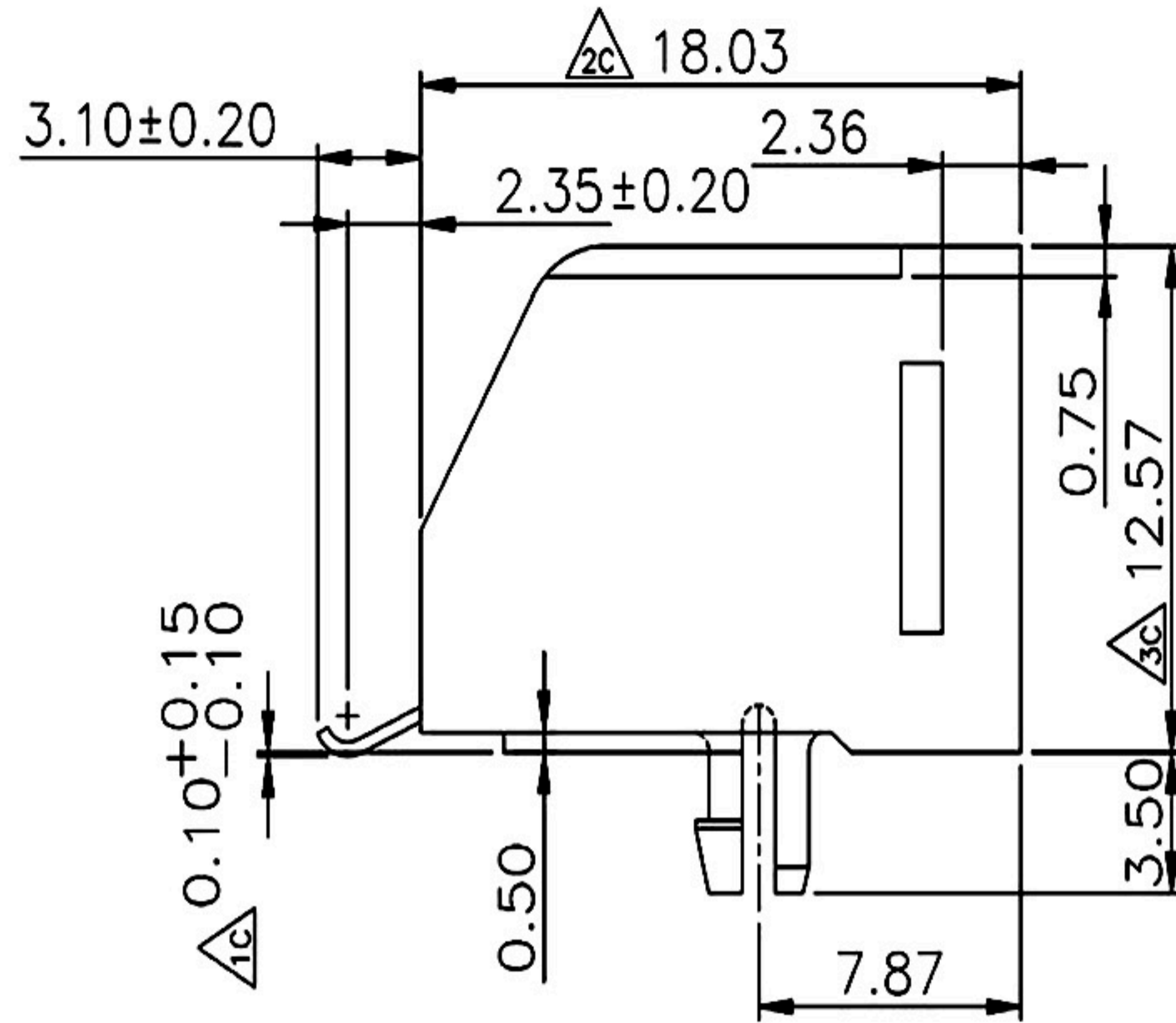
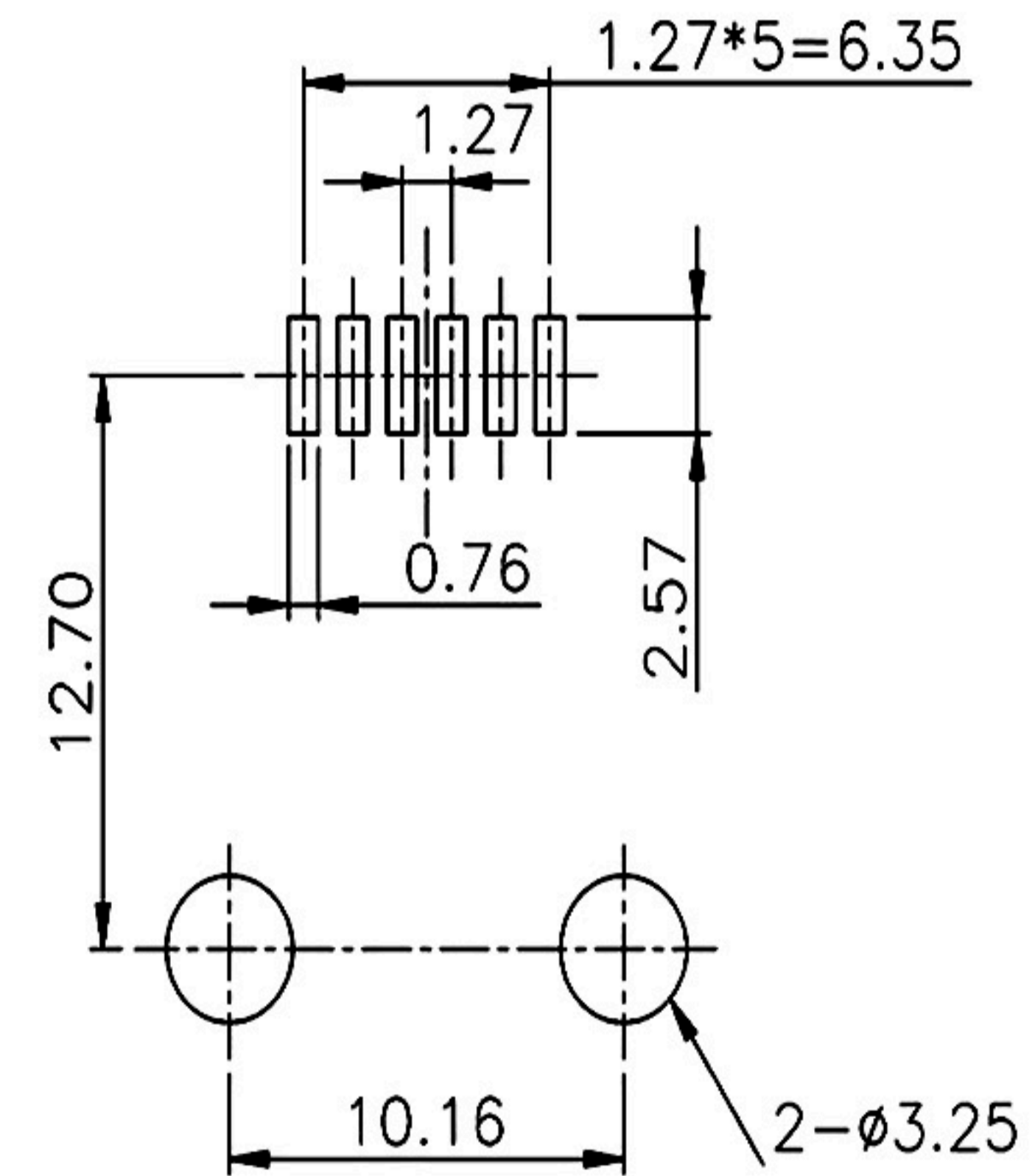


MATERIALS:

PLASTIC HOUSING: HIGH TEMP. THERMOPLASTIC
 FLAMMABILITY RATING UL 94V-0.
 CONTACTS: PHOSPHOR BRONZE
 PLATING: GOLD PLATING OVER NICKEL IN CONTACT.
 TIN PLATING OVER NICKEL IN SOLDER AREA.

PCB LAYOUT/TOP VIEW



RoHS Compliant		HSM 玄茂科技股份有限公司 HSUAN MAO TECHNOLOGY CO., LTD.	
APPD. 核准	SCALE 比例 参考	TOLERANCE 容許公差 .0 ± 0.38 .00 ± 0.25 ANG. ± 3°	PART NAME 品名 SIDE ENTRY P.C.B. JACK 6P6C SMT W/ PANEL STOP(UNSHIELDED) BLACK INSULATOR ROHS
DWG. 製圖 Helen	UNIT 單位 MM	SIZE 紙張尺寸 A4	PART NO. 料號 C0065-66DAXB00R
DATE 制表日 2012/3/29	PAGE 張數 1 OF 1	REV. 版本 A	