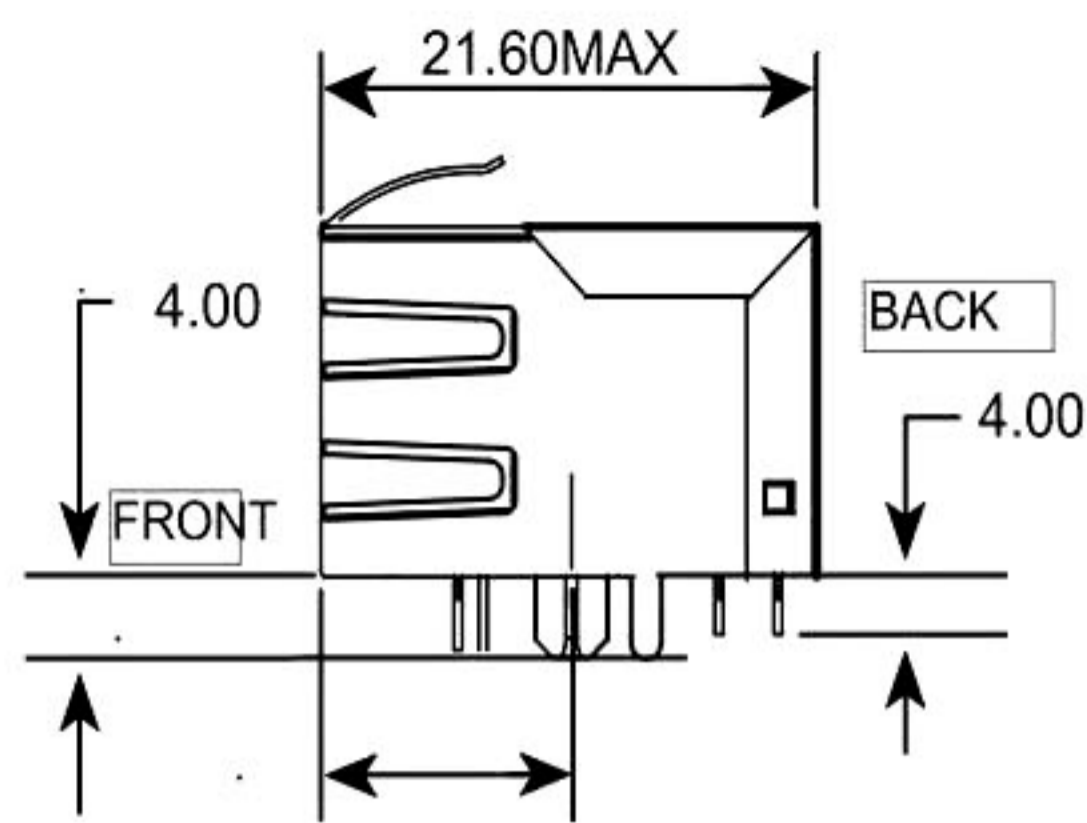
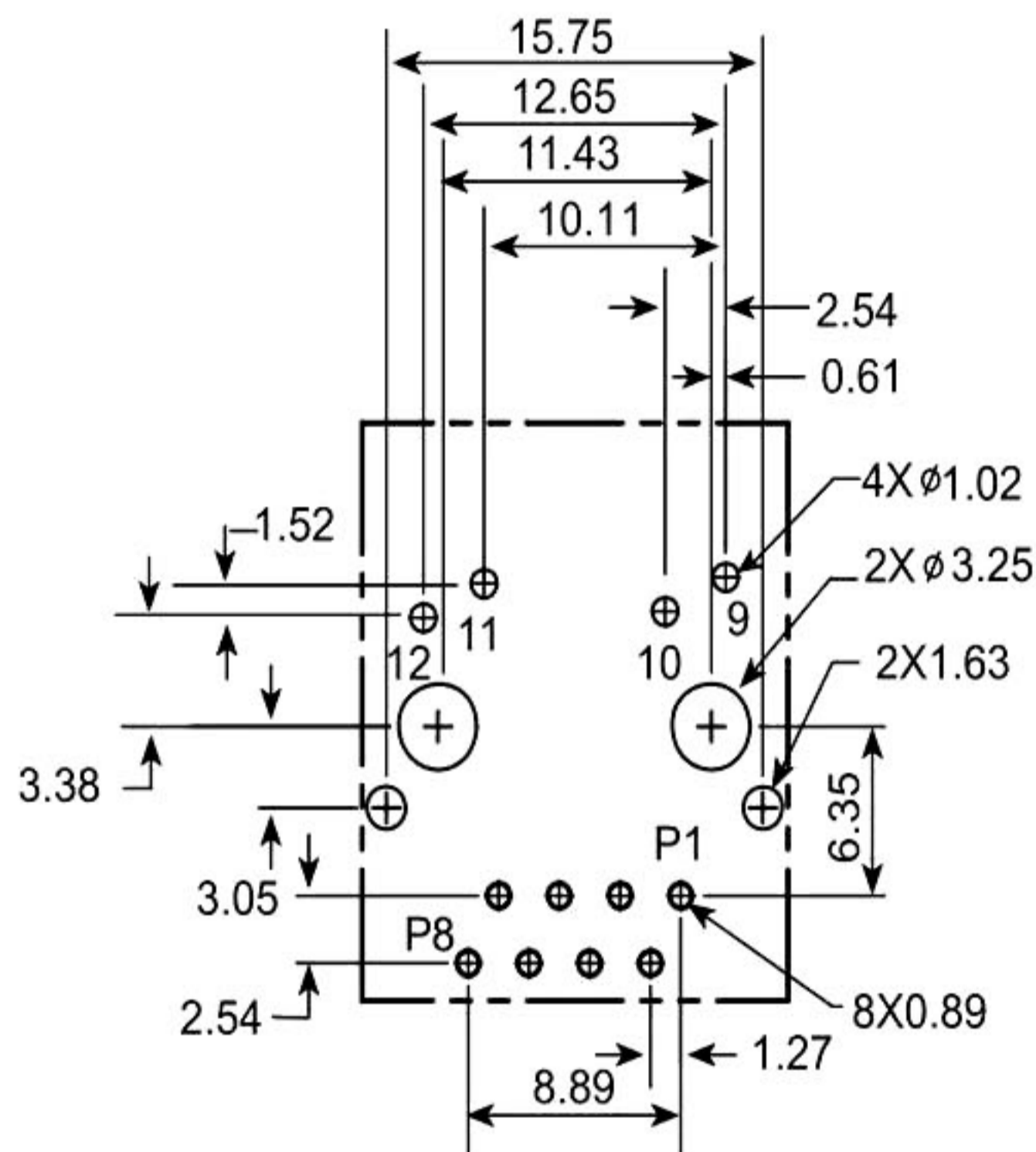


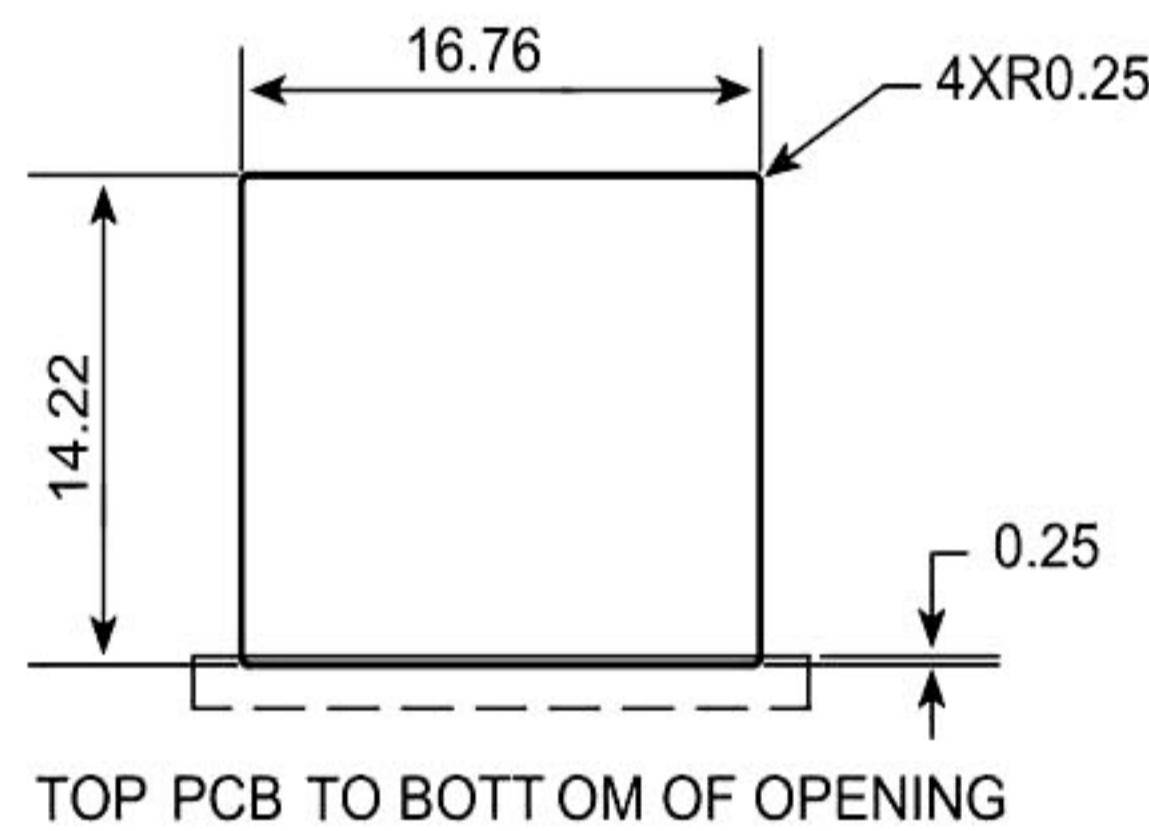
FRONT VIEW



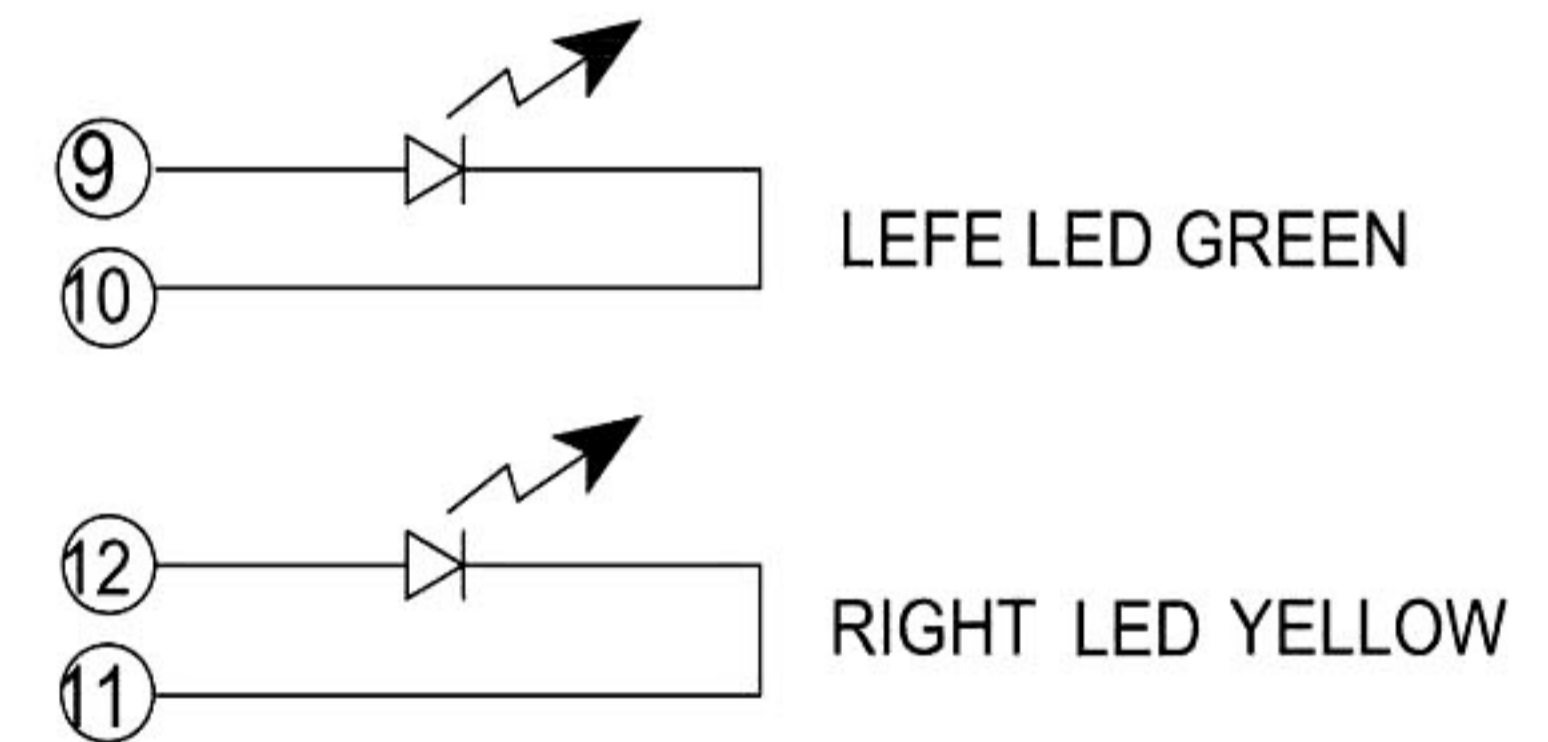
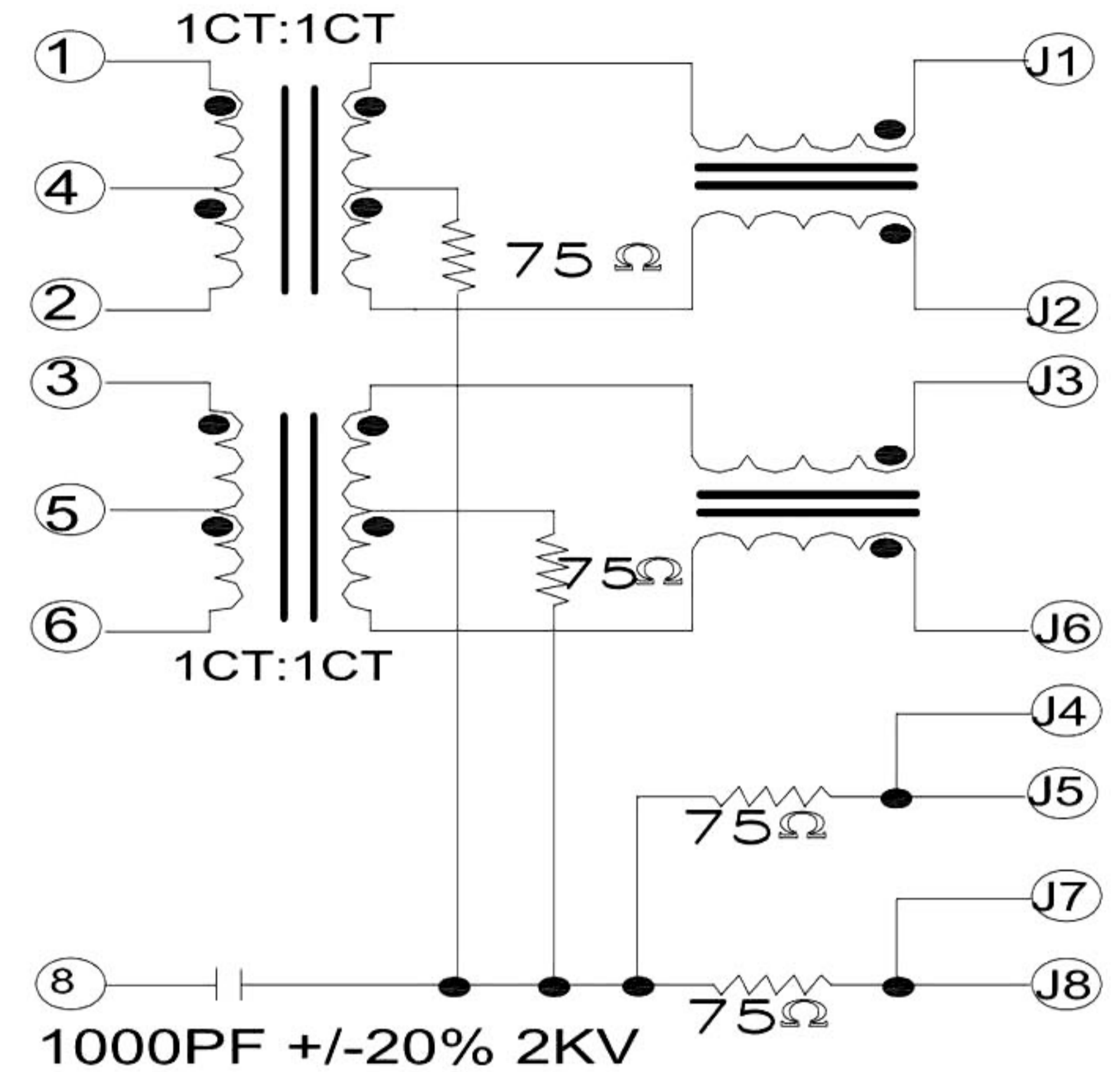
SIDE VIEW



viewed from PCB Component side



TOP PCB TO BOTTOM OF OPENING



ELECTRICAL SPECIFICATIONS @ 25°C unless otherwise noted:

- |  |  |
|--|--|
| <p>1. Turn Ratio(+/-2%):<br/>TX=1CT:1CT RX=1CT:1CT</p> <p>2. Inductance OCL:<br/>350uH Min @100KHz/0.1V ,8mA DC Bias</p> <p>3. Insertion Loss:<br/>-1.0dB Max @1.0-100MHz</p> <p>4. Return Loss:<br/>-20dB Min @1-10MHz<br/>-16dB Min @10-30MHz<br/>-12dB Min @30-60MHz<br/>-10dB Min @60-100MHz</p> | <p>5. Cross talk:<br/>-40dB Min @1-30MHz<br/>-35dB Min @30-60MHz<br/>-30dB Min @60-100MHz</p> <p>6. Common Mode Rejection:<br/>-30dB Min @1-50MHz<br/>-20dB Min @50-150MHz</p> <p>7. HIPOT TEST:1500V AC 1mA 6S</p> <p>8. OPERATING TEMPERATURE RANGE: -40°C~85°</p> |
|--|--|

<p>RoHS Compliant</p>		<p><b>HSM</b> 玄茂科技股份有限公司 HSUAN MAO TECHNOLOGY CO., LTD.</p>	
<p>APPD. 核准</p>	<p>SCALE 比例 参考</p>	<p>TOLERANCE 容許公差 .0 ± 0.25 .00 ± 0.13 ANG. ±</p>	<p>PART NAME 品名 RJ45 TRANSFORMER PCB JACK W/FULLY SHIELDED SELECTIVE GOLD 6U" PLATING BLACK W/ TABS W/ LED (GREEN/YELLOW) ROHS</p>
<p>DWG. 製圖 Helen</p>	<p>UNIT 單位 MM</p>	<p>SIZE 紙張尺寸 A4</p>	<p>PART NO. 料號 C0072-88AYQB05R</p>
<p>DATE 制表日 2013/5/24</p>	<p>PAGE 張數 1 OF 1</p>	<p>REV. 版本 B</p>	