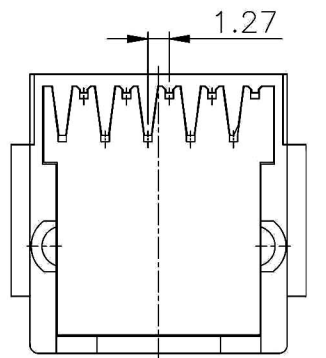
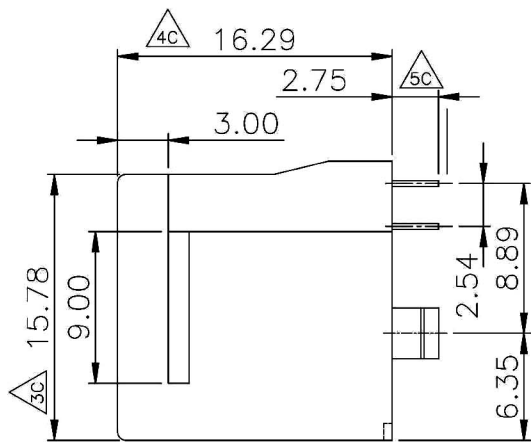
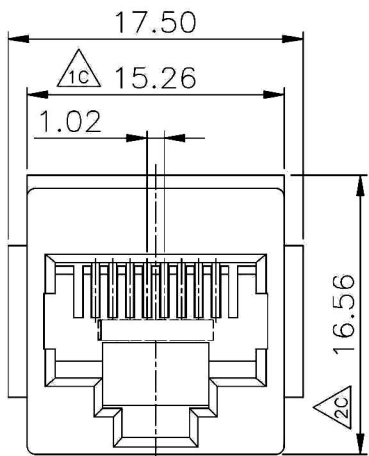
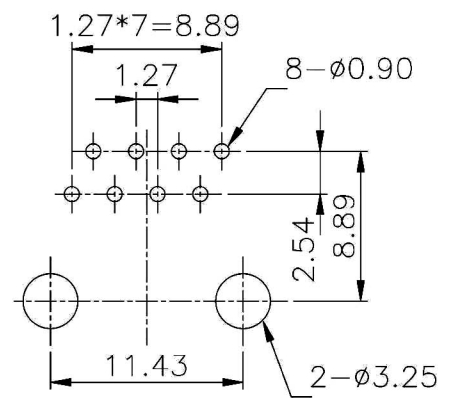


**MATERIALS:**  
 PLASTIC HOUSING: ENGINEERING THERMOPLASTIC  
 FLAMMABILITY RATING UL 94V-0.  
 CONTACTS: 0.35MM THICKNESS PHOSPHOR BRONZE  
 PLATING: GOLD PLATING OVER NICKEL IN CONTACT.  
 TIN PLATING OVER NICKEL IN SOLDER AREA



P.C.B LAYOUT TOP VIEW



contact resistance: 40mΩ Max

current rating: 1A

insulation resistance: 500MΩ Min

dielectric withstand voltage: 500V DC

<b>RoHS Compliant</b>		<b>HSM 玄茂科技股份有限公司</b>	
		<b>HSUAN MAO TECHNOLOGY CO., LTD.</b>	
APPD. 核准 <b>HELEN</b>		TOLERANCE 容許公差 .00 ± .00 ± ANG. ±	PART NAME 品名 TOP ENTRY PCB JACK 10P8C UNSHIELDED TYPE W/PANEL STOP SPLIT FOOT BLACK COLOR FLAT PIN ROHS
DWG. 製圖 <b>ABBY</b>	SCALE 比例 參考	UNIT 單位 MM	
DATE 制表日 2013/12/17	PAGE 張數 1 / 1	SIZE. 紙張尺寸 A 4	PART NO. 料號 <b>C0089-08ASXB00R</b>