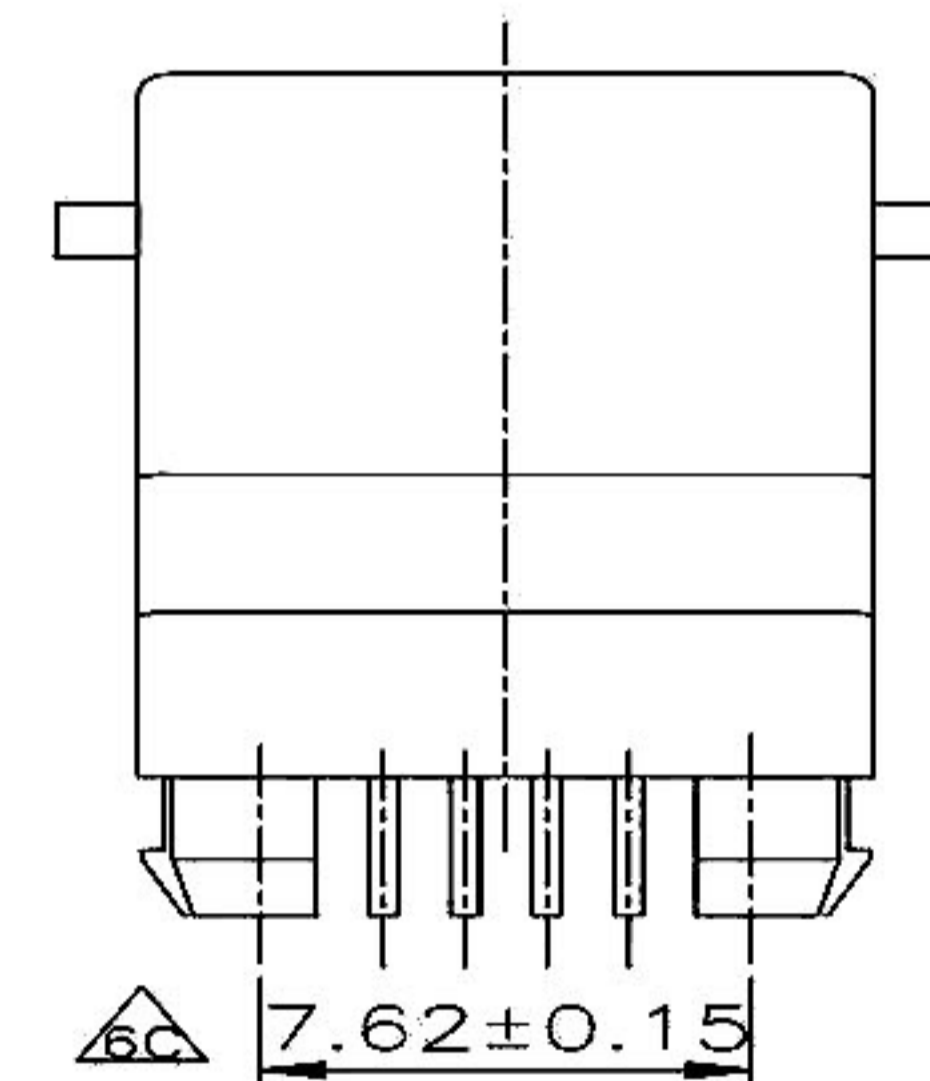
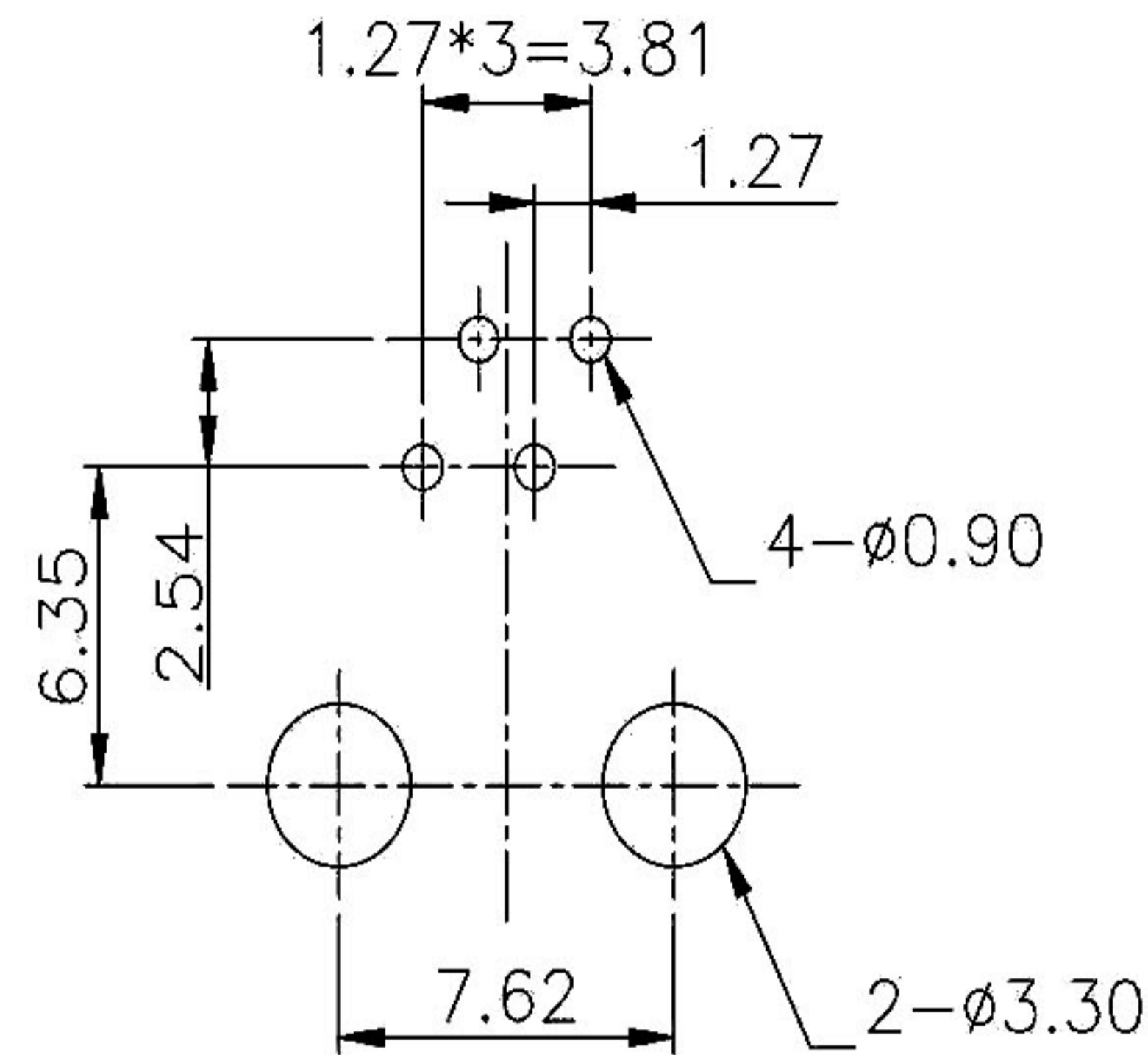


PCB LAYOUT/TOP VIEW



Materials:
 Housing: Standard Material Glass Filled Polyester UL 94V-0 Standard Colour (Black)
 Contact: 0.35mm Thickness C5210, Gold Plating Over Nickel in Contact Area,
 Tin Plating Over Nickel in Solder Area
 Gold Plating: Selective Gold Plating 6u".

RoHS Compliant		HSM 玄茂科技股份有限公司 HSUAN MAO TECHNOLOGY CO., LTD.	
APPD. 核准 DWG. 製圖 DATE 制表日 2012/11/26	SCALE 比例 UNIT 單位 M M PAGE 張數 1 OF 1	TOLERANCE 容許公差 .0 ± 0.38 .00 ± 0.25 ANG. ± 3° SIZE 紙張尺寸 A 4 REV. 版本 A	PART NAME 品名 TOP ENTRY PCB JACK 4P4C UNSHIELDED TYPE W/PANEL STOP SPLIT FOOT BLACK COLOR PLAT PIN ROHS PART NO. 料號 C0089-44ASXB00R