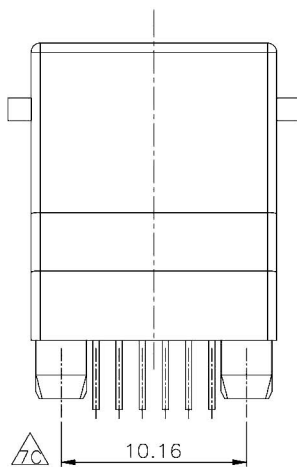
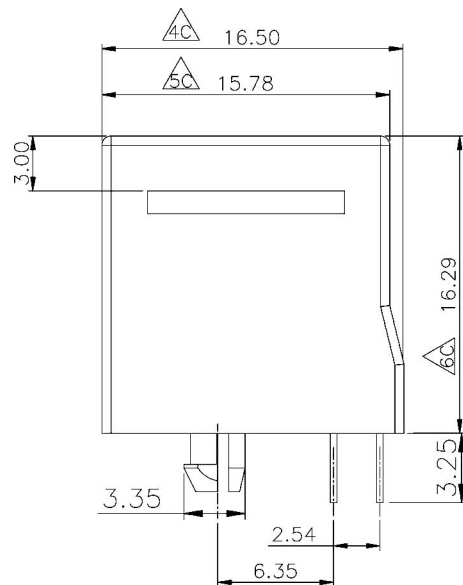
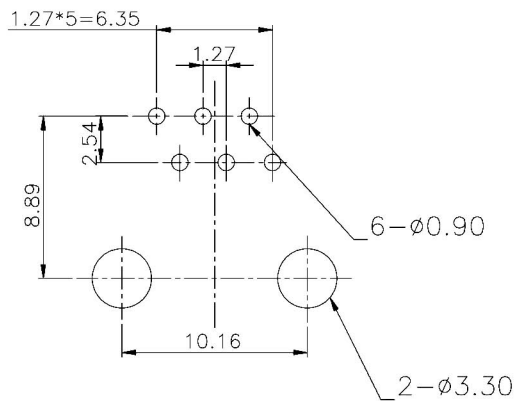
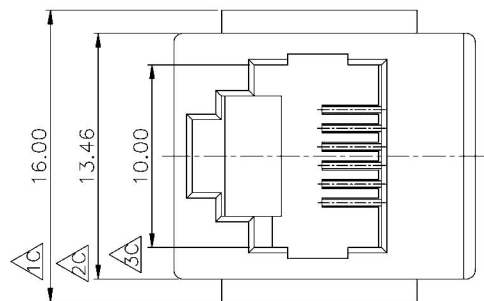


PCB LAYOUT/TOP VIEW



contact resistance: 40mΩ Max

current rating: 1A

insulation resistance: 500MΩ Min

dielectric withstand voltage: 500V DC

MATERIALS:

PLASTIC HOUSING: ENGINEERING THERMOPLASTIC  
FLAMMABILITY RATING UL 94V-0.

CONTACTS: PHOSPHOR BRONZE

PLATING: GOLD PLATING OVER NICKEL IN CONTACT.

TIN PLATING OVER NICKEL IN SOLDER AREA.

<b>RoHS Compliant</b>		<b>HSM 玄茂科技股份有限公司</b> <b>HSUAN MAO TECHNOLOGY CO., LTD.</b>	
APPD. 核准 HELEN		TOLERANCE 容許公差 .XXX ±0.10 .XX ±0.25 .X ±0.50 ANG ±3°	PART NAME 品名 TOP ENTRY PCB JACK 6P6C UNSHIELDED TYPE W/PANEL STOP SPLIT FOOT BLACK COLOR FLAT PIN ROHS
DWG. 製圖 ABBY	SCALE 比例 參考	UNIT 單位 MM	PART NO. 料號 C0089-66ASXB00R
DATE 制表日 2013/12/17	PAGE 張數 1 / 1	REV. 版次 A	