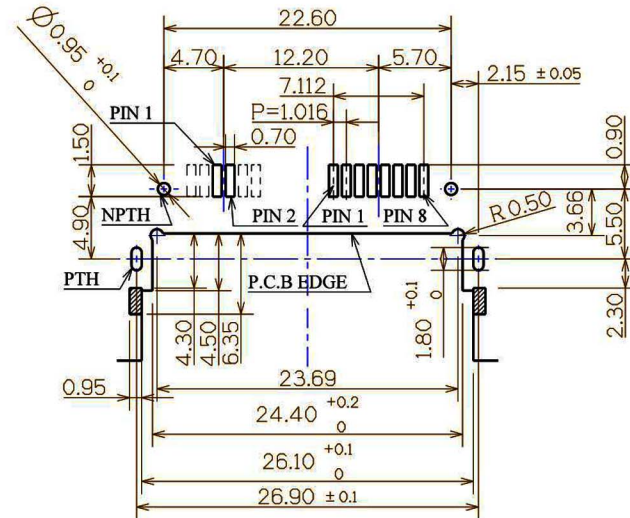
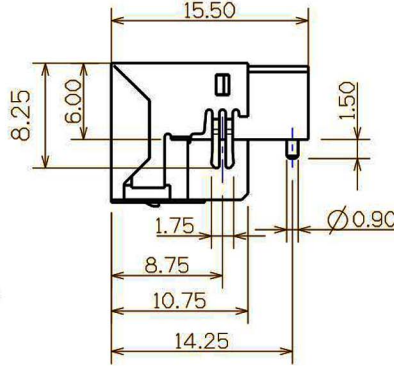
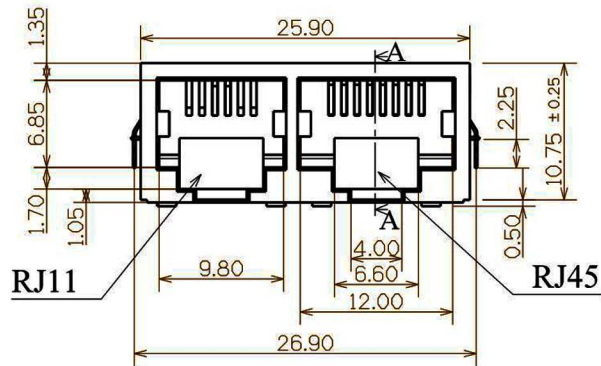


剖面視圖A-A
縮放: 2:1



P.C.B LAYOUT (TOP VIEW)

MATERIAL AND FINISH

HOUSING : LCP POLYESTER UL-94V-0 MIXED GLASS FIBER.
STANDARD COLOR FIBER.
CONTACT : 0.30mm THICK PHOSPHOR BRONZE PLATED WITH NICKEL.
CONTACT PLATED : GOLD 3u".
SHIELD : 0.20mm THICK COPPER ALLOY PLATED WITH NICKEL.

ELECTRICAL:
1. CURRENT RATING : 1.5 AMP.
2. VOLTAGE RATING : 150 VAC.
3. CONTACT RESISTANCE : 30 MILLIOHMS MAX.
4. INSULATION RESISTANCE : 500 MILLIOHMS MIN.
5. DIELECTRIC WITHSTANDING VOLTAGE : 1000 VAC, 1MIN.

RoHS Compliant **HSM 玄茂科技股份有限公司**
HSUAN MAO TECHNOLOGY CO., LTD.

APPD. 核准		TOLERANCE 容許公差 .000 ± 0.10 ANG ± 3 .00 ± 0.25 .0 ± 0.50	PART NAME 品名 RJ45+RJ11 Offset Side Entry PCB TYPE
DWG. 製圖 Hedy		SCALE 比例 參考	
DATE 制表日 2013/01/28	UNIT 單位 MM	SIZE. 紙張尺寸 A 4	PART NO. 料號 C0099
	PAGE 張數 1 / 1	REV. 版次 A	