

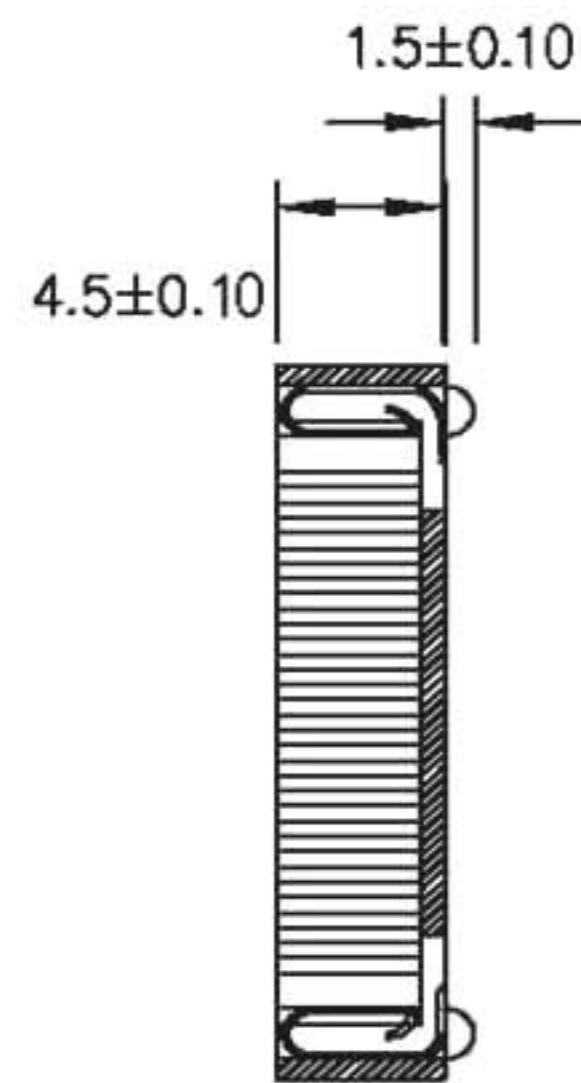
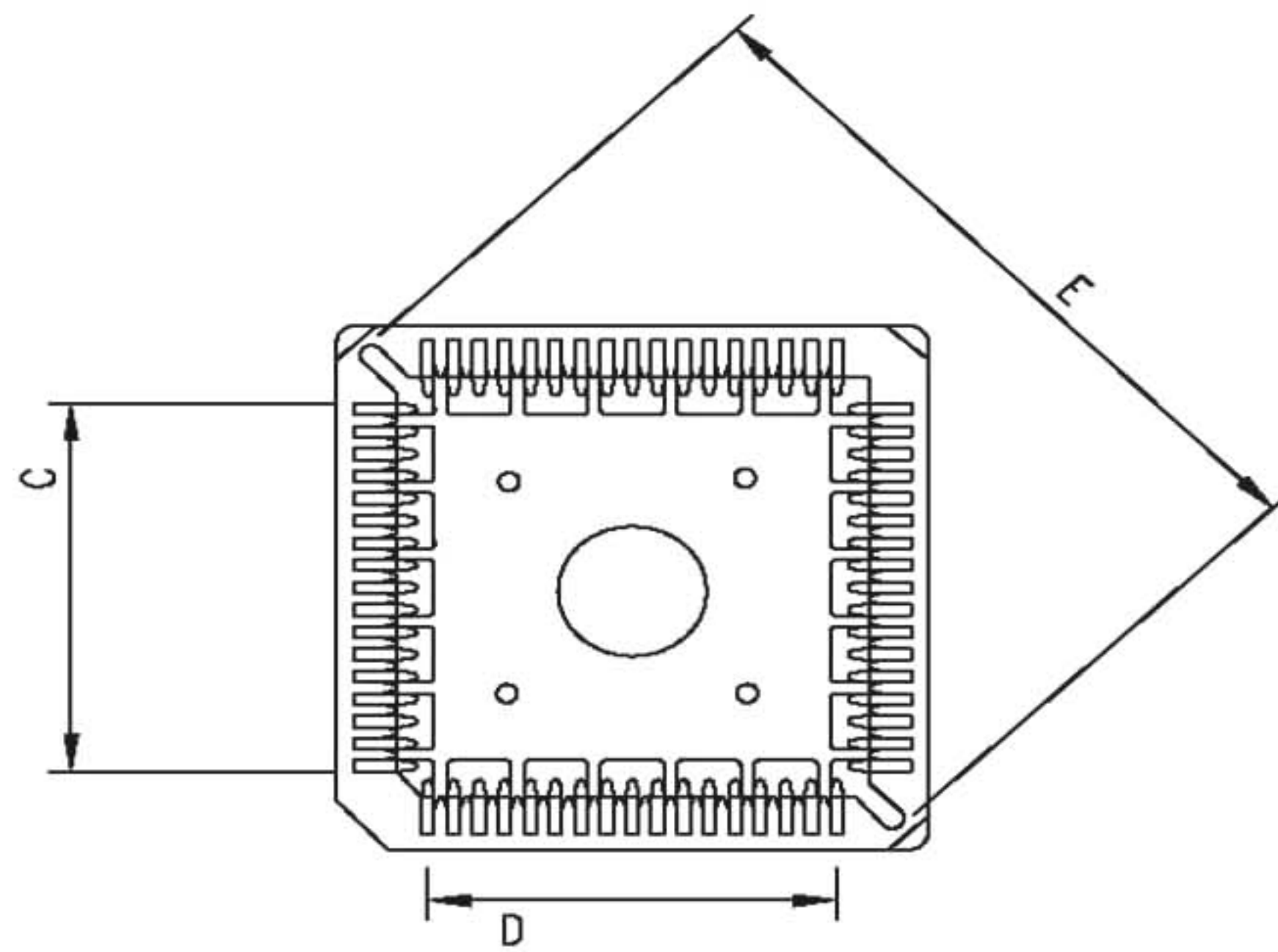
NO OF CONTACT	A±0.2	B±0.2	C±0.2	D±0.2	E±0.2	F±0.2
20	15.24	15.24	5.08	5.08	16.70	12.70
28	17.78	17.78	7.62	7.62	20.30	15.24
32	18.20	20.74	7.62	10.16	22.76	17.78
44	23.28	23.28	12.70	12.70	28.05	20.32
52	25.74	25.74	15.24	15.24	31.13	22.86
68	30.82	30.82	20.32	20.32	38.31	27.94
84	35.90	35.90	25.40	25.40	45.50	33.02

****PACKING(OPTION):****

T:Tube Packing

R:Reel Packing(Only 32P & 44P)

P.C.B LAYOUT



SECTION A-A

Insulator Material: PPS&40% Glass Fiber (UL 94 – V0)
 Contact Resistance: 30MΩ Max at Dc 100ma
 Insulator Resistance: 1000MΩ Min at Dc 500V
 Current Rating: 1AMP
 Dielectric Withstand Voltage: AC 500V for 1 minute
 Temperature Rating: -55 deg C ~+ 105 deg C
 Contact Material: Phosphor Bronze

RoHS Compliant		HSM 玄茂科技股份有限公司 HSUAN MAO TECHNOLOGY CO., LTD.	
APPD. 核准	SCALE 比例 参考	TOLERANCE 容許公差 .0 ± 0.25 .00 ± 0.20 ANG. ±	PART NAME 品名 PLCC SOCKET SMT TYPE 1.27mm XXP W/POLARIZATION PEG STYLE MATTE TIN PLATING BROWN COLOR ROHS
DWG. 製圖 Helen	UNIT 單位 MM	SIZE 紙張尺寸 A4	PART NO. 料號 C0100-XXYZXN00R
DATE 制表日 2024/3/26	PAGE 張數 1 OF 1	REV. 版本 A	