

No. of Positions	DIM"A"	DIM"B"
24	30.48	27.94
28	35.56	33.02
32	40.64	38.10
40	50.80	48.26
48	60.96	58.42

Technical Data

Material:

Pin(outer sleeve): Brass,machined CuZn38Pb2

Clip(contact 4 finger): Phosphor Bronze

Plating(outer sleeve):

Tin plated:2um/80u"Ni, 5um/200u"Sn

Gold Plated:2um/80u"Ni,Full gold

Plating(contact): 2um/80u"Ni, gold or Tin plated

Insulator(black): Glass filled thermoplastic polyester
UL94V-0

Electrical:

Current rating: 3Amps/contact max.

Contact resistance: ≤4mΩ/contact

Insulation resistance: ≥1000MΩ at V=100V

Operating voltage: 60VAC/DC

Mechanical:

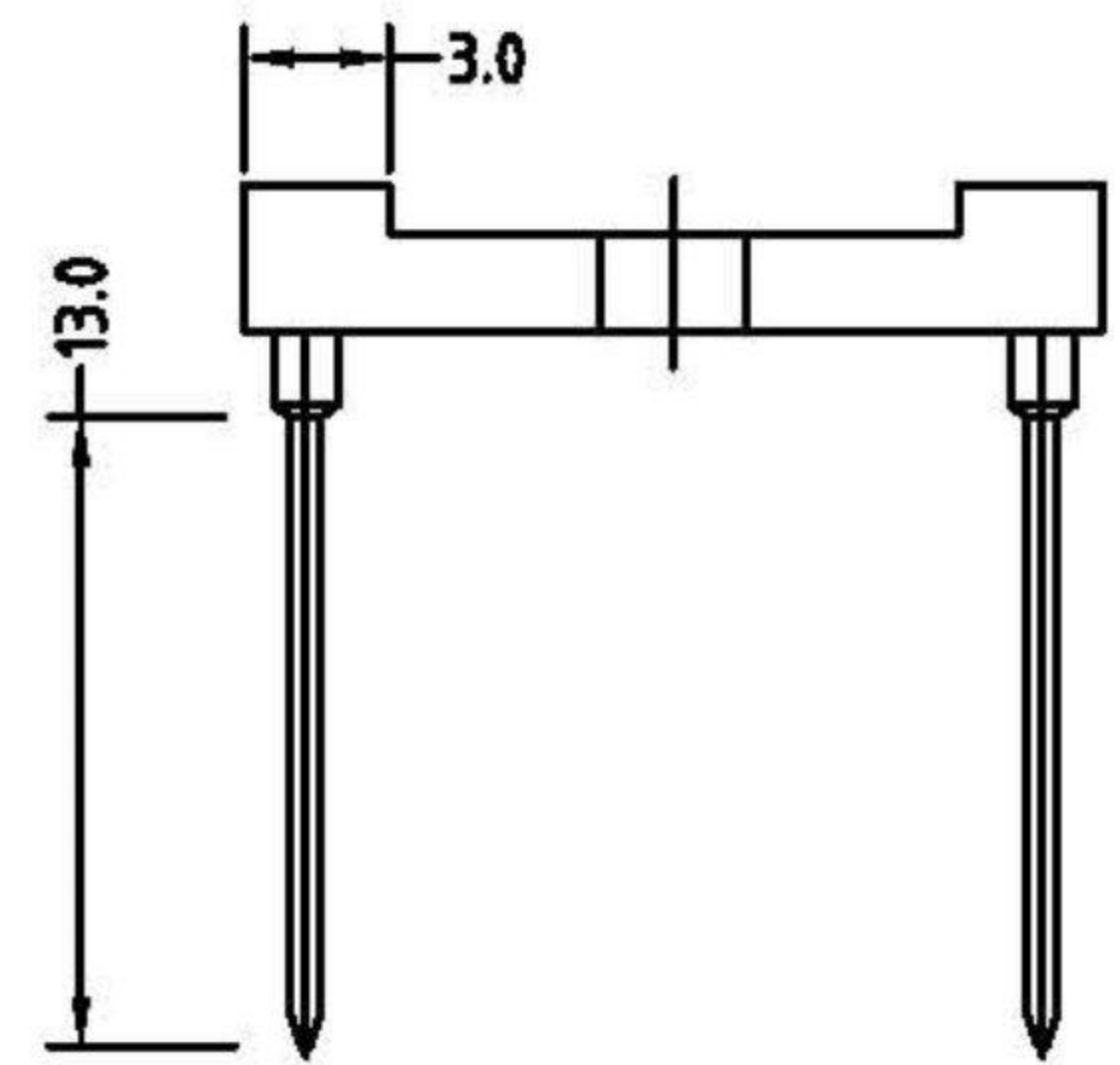
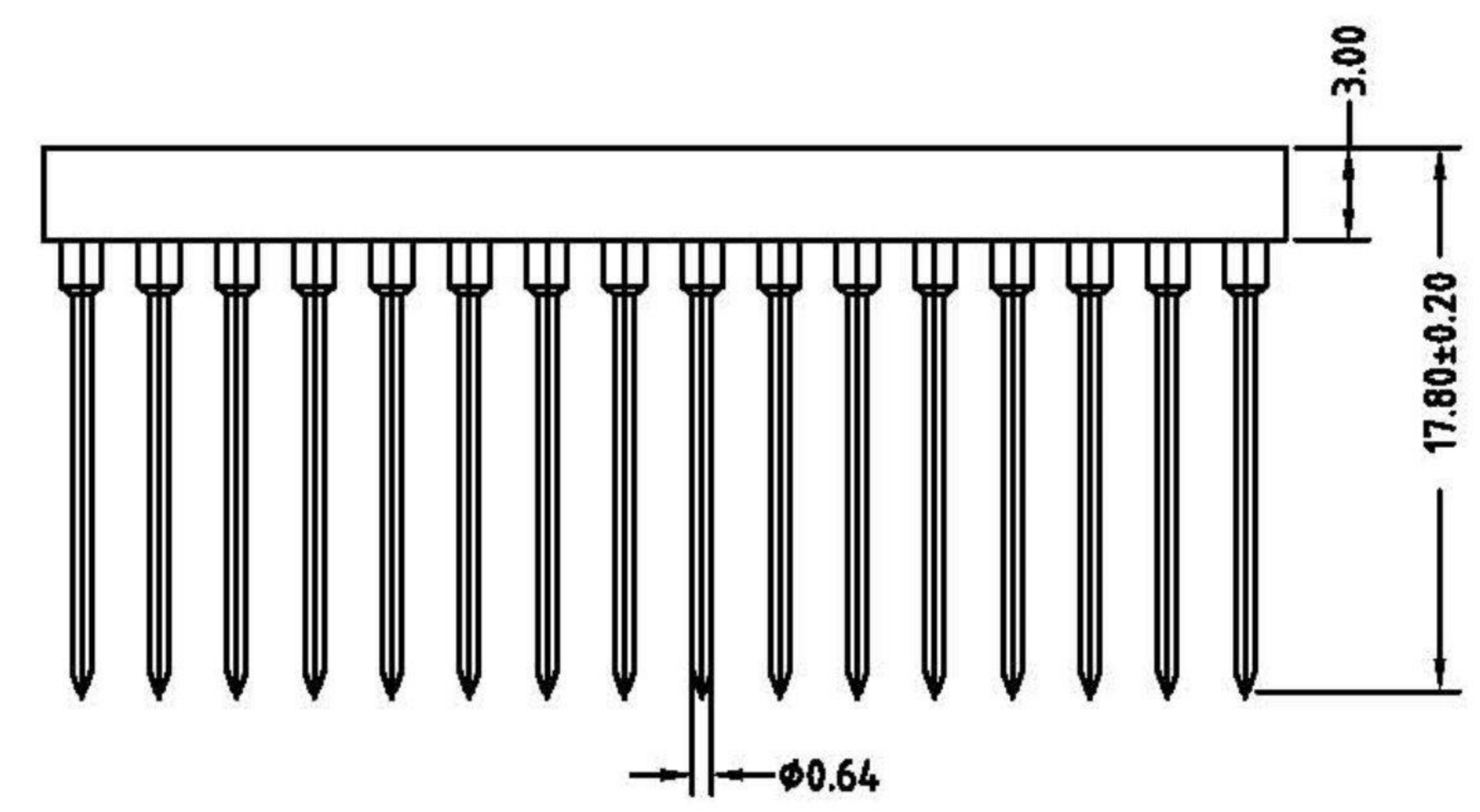
Average insertion force with steel pin of
∅0.43mm/0.017": <250g

Average withdrawal force with steel pin of
∅0.43mm/0.017": >50g min.

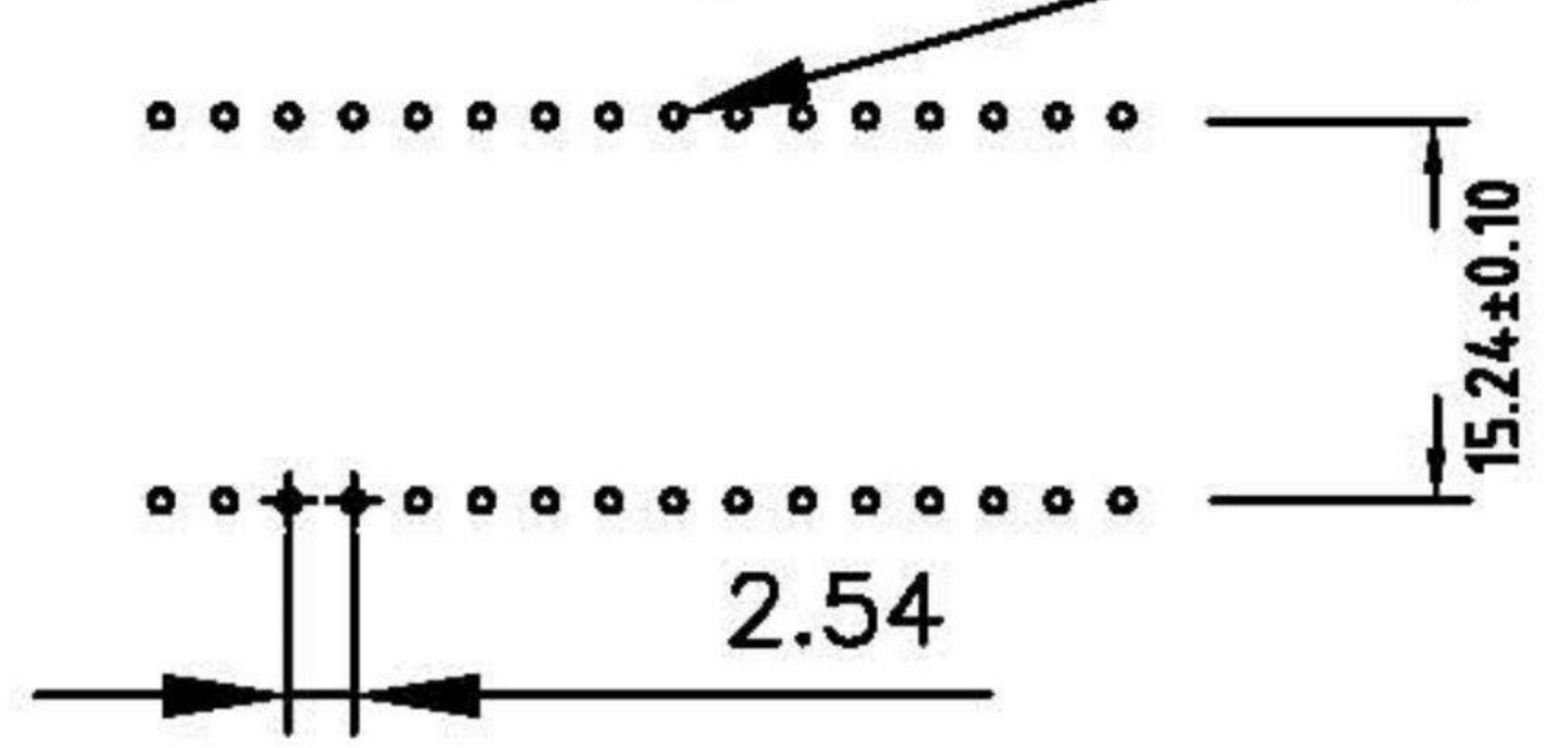
Mechanical life cycle:min.200

Operating temperatures: Gold Plsted:-55°C to+125°C
Tin plated:-40°C to+105°C

Soldering temperature: +240°C,10s max.



P.C.B. Layout ∅ 1.0



RoHS Compliant		HSM 玄茂科技股份有限公司 HSUAN MAO TECHNOLOGY CO., LTD.	
APPD. 核准 HELEN	SCALE 比例 參考	TOLERANCE 容許公差 X ±0.25 X.X ±0.1 X.XX ±0.01 X.XXX ±0.005 X.XXXX ±0.002	PART NAME 品名 2.54mm IC SOCKET MACHINED PIN 4 FINGERED CLIP ROW PITCH:0.6" XXP (PIN:TIN CLIP:GOLD PLATING · GOLD PLATING) WIRE WRAP PIN ROHS
DWG. 製圖 ABBY	UNIT 單位 MM	SIZE. 紙張尺寸 A 4	PART NO. 料號 C0110-XXLA(C · D)B00R
DATE 制表日 2012/02/09	PAGE 張數 1 OF 1	REV. 版次 A	