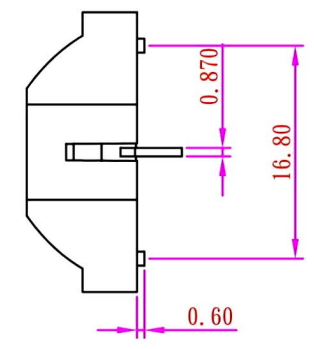
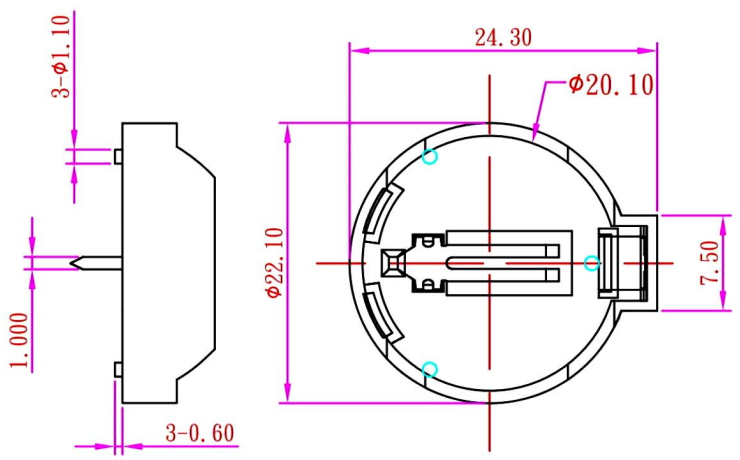


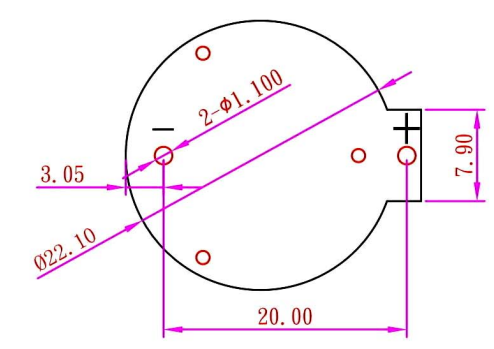
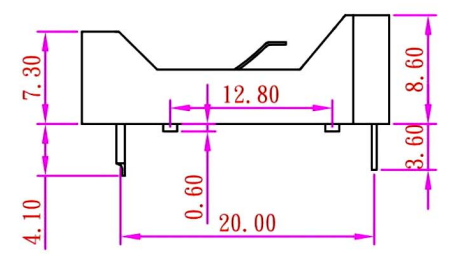
1 2 3 4 5 6 7 8

A
B
C
D
E
F
G
H

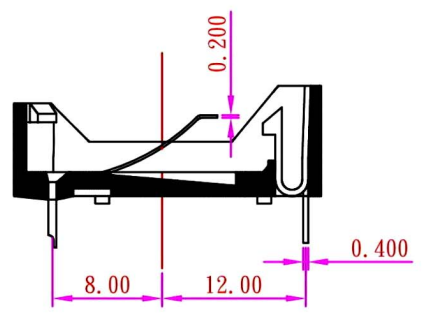
A
B
C
D
E
F
G
H



NOTE:
 1. MATERIAL:
 a. HOUSING: PBT
 b. CONTACT: BRASS
 (SURFACE PLATING: Sn 100U")
 2. ELECTRIC:
 a. CONTACT RESISTANCE: 30 MILLIOHMS MAX.
 b. INSULATION RESISTANCE: 1000 MEGA OHMS MIN.
 c. DIELECTRIC VOLTAGE: 500V AC ONE SEC LEVEL
 d. OPERATIN TEMPERATURE: -25°C ~ +85°C
 1) Max. Process Temperature(deg C): 220° C
 2) Duration at Max. Process Temperature(s): 3~5 sec



PCB Layout Diagram
Top View



3	TERMINAL (-)	1	BRASS, T=0.20MM	Sn-Plating
2	TERMINAL (+)	1	BRASS, T=0.40MM	Sn-Plating
1	HOUSING	1	PBT	BLACK
NO.	PART NAME	Q' TY	MATERIAL	PLATING & COLOR

RoHS Compliant		HSM 玄茂科技股份有限公司 HSIUAN MAO TECHNOLOGY CO., LTD.	
APPD. 核准 HELEN	TOLERANCE X : ±0.30 X.X : ±0.25 X.XX : ±0.20 X : ±1° X.X : ±0.5°	PART NAME 品名 BATTERY HOLDERS B66 FOR CR2032 TIN PLATED MATERIAL:PBT BLACK INSULATOR WITH 3 LOCATING PEGS ROHS	
DWG. 製圖 ABBY	SCALE 比例 參考	UNIT 單位 MM	SIZE. 紙張尺寸 A4
DATE 制表日 2016/04/08	PAGE 張數 1 OF 1	REV. 版次 E	PART NO. 料號 C0170-02KTB002P

1 2 3 4 5 6 7 8