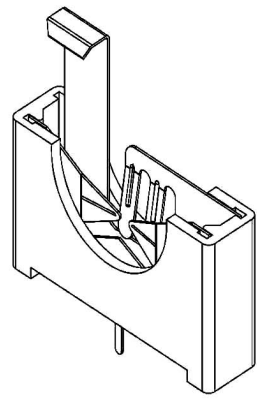
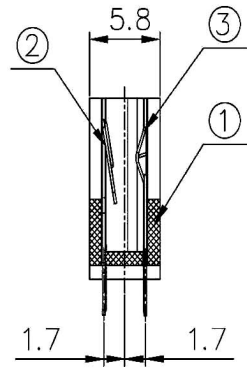
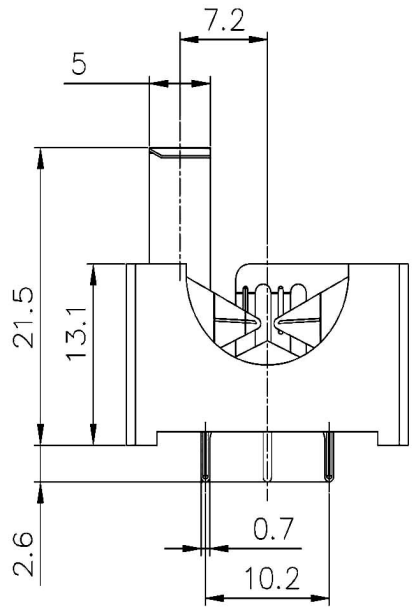


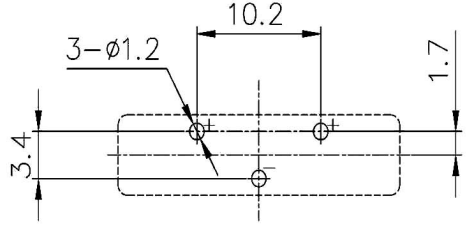
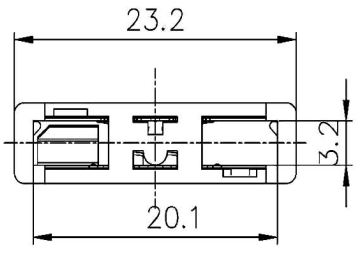
1 2 3 4 5 6 7 8

A  
B  
C  
D  
E  
F  
G  
H

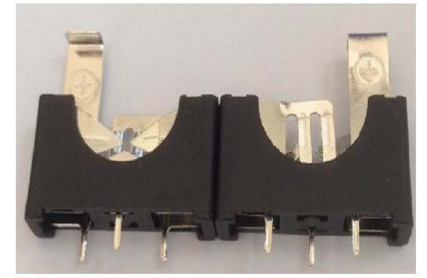
A  
B  
C  
D  
E  
F  
G  
H



NOTE:  
 1.MATERIAL:  
 a.HOUSING:THERMOPLASTIC GLASS FIBRE UL94V-0  
 b.CONTACT:PHOSPHOR BRONZE  
 (SURFACE PLATING: Ni 100u")  
 2.ELECTRIC:  
 a.CONTACT RESISTANCE: 30 MILLIOHMS MAX  
 b.INSULATION RESISTANCE: 1000 MEGA OHMS MIN  
 c.DIELECTNIC VOLTAGE: 750V AC ONE SEC LEVEL  
 d.OPERATING TEMPERATURE: -55°C~ +85°C



PCB Holes Diagram



3	TERMINAL-2	PHOSPHOR BRONZE	Ni-Plated
2	TERMINAL-1	PHOSPHOR BRONZE	Ni-Plated
1	HOUSING	PBT	BLACK
NO.	PART NAME	MATERIAL	COLOR/FINISHED

RoHS Compliant	
APPD. 核准	
DWG. 製圖	Betty
DATE 制表日	2014/07/02

		TOLERANCE LINEAR ANGLE x: ±1 x': ±5 xx: ±0.38 xx': ±2 xxx: ±0.25 xxx': ±1	PART NAME 品名 BATTERY HOLDERS VERTICAL TYPE 3PIN FOR CR2032 NICKEL PLATED BLACK INSULATOR INSULATOR MATERIAL:PBT ROHS
SCALE 比例	參考	SIZE. 紙張尺寸	A4
UNIT 單位	MM	REV. 版次	A
PAGE 張數	1 OF 1	PART NO. 料號	C0171-03LPNB00R

1 2 3 4 5 6 7 8