

SPECIFICATION NOTES:

ELECTRICAL:

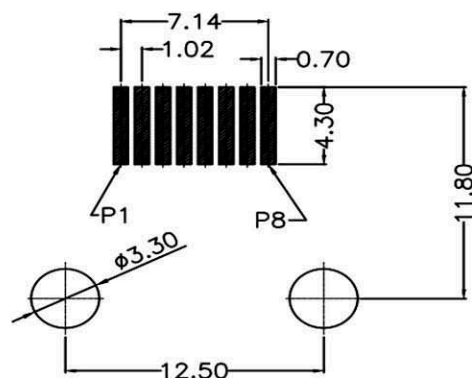
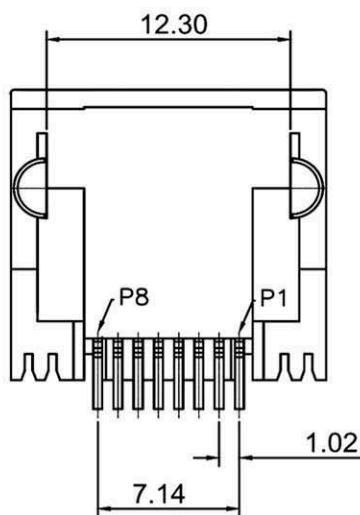
- 1.VOLTAGE RATING: 125 VAC RMS
- 2.CURRENT RATING: 1.5 AMP
- 3.CONTACT RESISTANCE: 20mΩ MAX.
- 4.INSULATION RESISTANCE: 1000MΩ MIN. AT500V DC.
- 5.DIELECTRIC STRENGTH: 1000 V AC OR 1500V DC RMS AT 0.5mA 50 Hz / 60 Hz FOR 1MINUTE

MECHANICAL:

- 1.HOUSING:LCP BLACK, UL 94V-0
- 2.CONTACT:PHOSPHOR BRONZE T=0.30MM
- 3.PLATING:GOLD PLATING AT CONTACT AREA, MATTE TIN AT TAIL 100U MIN., NICKEL 30U MIN. OVER ALL.
- 4.SHELL:BRASS T=0.20
- 5.OPERATING LIFE:750 CYCLES MIN.
- 6.MATING/UNMATING FORCE: 30N/3.06KgF MAX.
- 7.RETENTION STRENGTH:50N OR 30N MIN.FOR 60S±5S

ENVIRONMENTAL:

- 1.STORAGE:-40°C TO +85°C RELATIVE HUMIDITY<80%
- 2.GUARANTEE PERIOD:12 MONTHS
- 3.OPERATION: -40°C TO +85°C
- 4.MANUAL SOLDERING PARAMETERS:24H IR TEMPERATURE: 260±5°C 5~10 SECONDS.



RECOMMENDED PCB LAYOUT
TOLERANCE=±0.05

RoHS Compliant		HSM 玄茂科技股份有限公司 HSUAN MAO TECHNOLOGY CO., LTD.	
APPD. 核准 Betty		TOLERANCE 容許公差 0 ± 0.25 .00 ± 0.15 ANG. ± 5°	PART NAME 品名 SIDE ENTRY PCB JACK 8P8C SMT TYPE W/O SHIELDED FLAT PIN BLACK INSULATOR MATERIAL:LCP ROHS
DWG. 製圖 Lena	SCALE 比例 參考	UNIT 單位 MM	PART NO. C0231-88NXBN00R
DATE 制表日 2019/7/4	PAGE 張數 1 OF 1	REV. 版本 A	料號 C0231-88NXBN00R