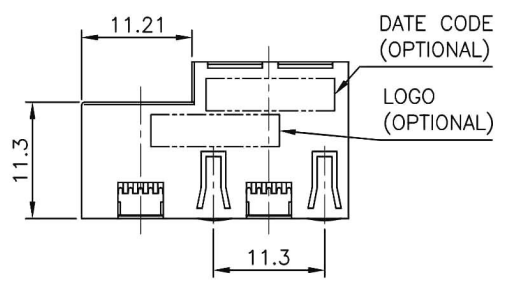


1 2 3 4 5 6 7 8

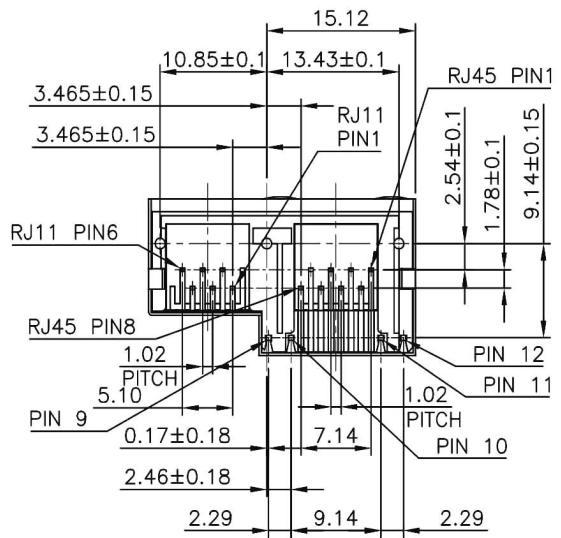
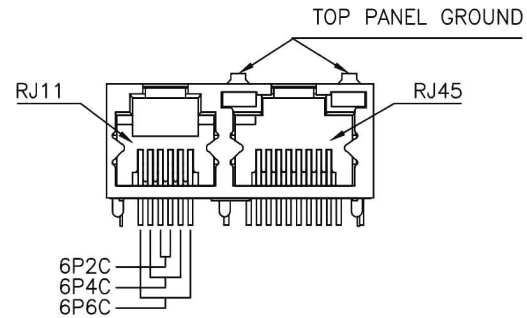
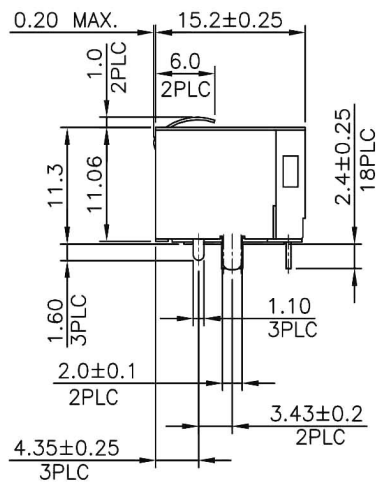
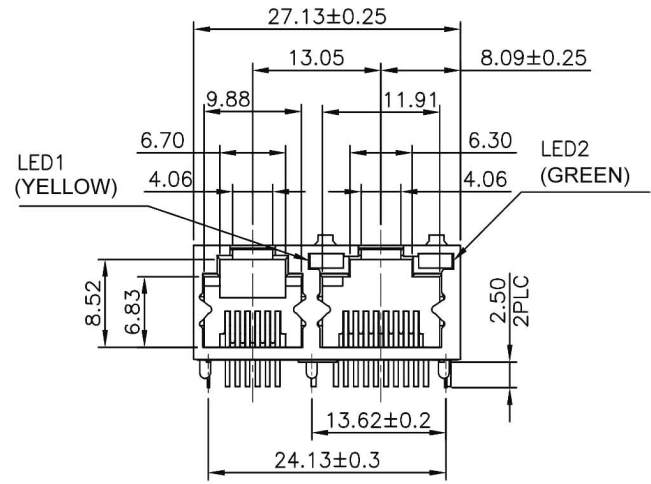
A  
B  
C  
D  
E  
F  
G  
H



LED ELECTRICAL CHARACTERISTIC		
NO.	NODE	
LED1	9(+)	10(-)
LED2	11(+)	12(-)

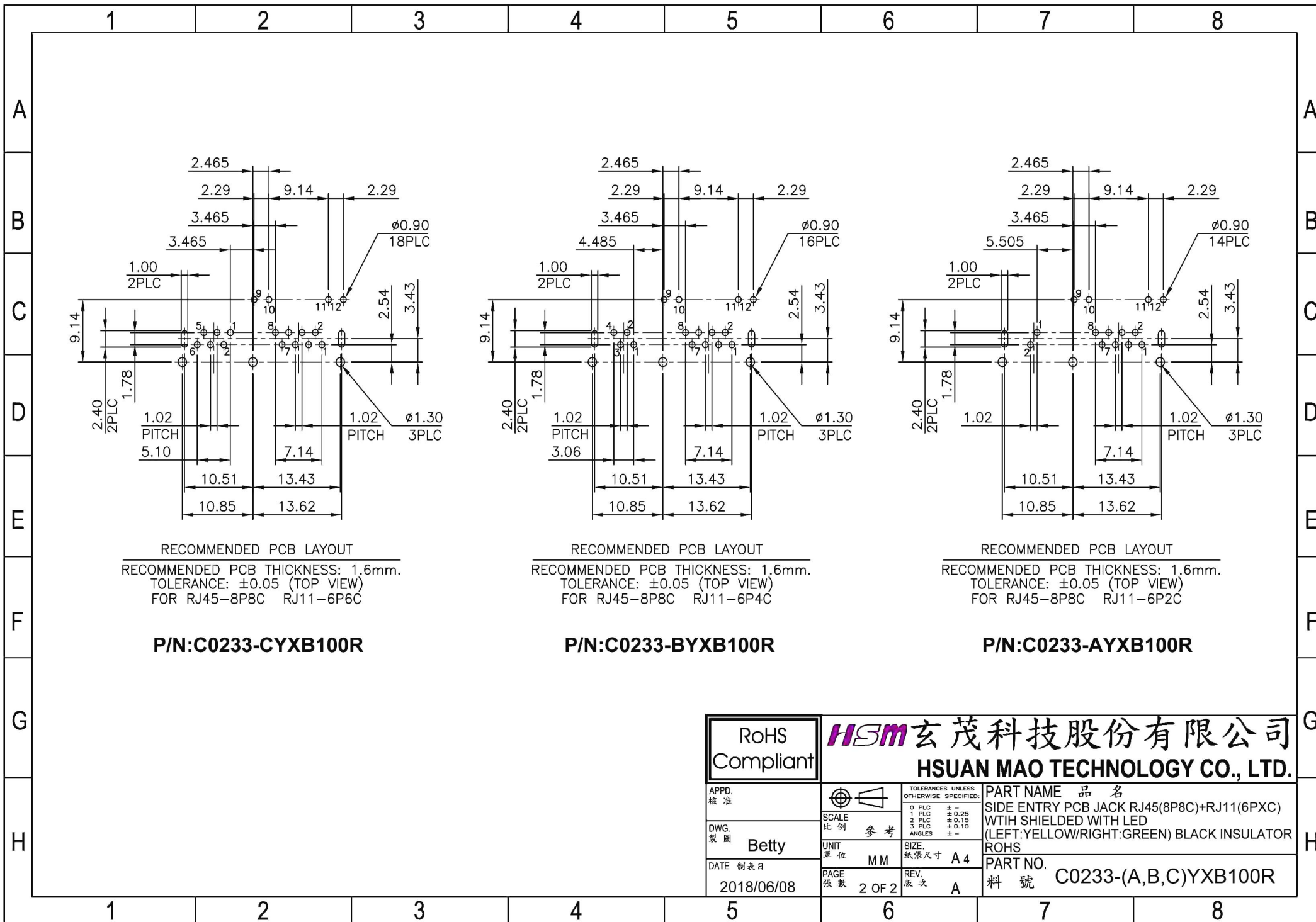
NOTE:  
CAVITY CONFIRMS TO FCC RULES AND REGULATIONS PART 68, SUBPART F.

- MATERIAL:  
HOUSING: PA46, WITH GLASS FIBER,,  
UL 94V-0, STANDARD COLOR-BLACK.  
INSERT HOUSING: PA9T, WITH GLASS FIBER,  
UL 94V-0, STANDARD COLOR-BLACK.  
CONTACTS: PHOSPHOR BRONZE.  
SHELL: BRASS.  
LED SOLDER TAIL: STEEL.
- FINISH:  
CONTACTS: GOLD PLATED ON CONTACT AREA,  
0.0254μm [1μ"] GOLD PLATED ON SOLDER TAIL,  
WITH ENTIRE CONTACT UNDERPLATED  
1.27μm [50μ"] MIN. NICKEL  
SHELL: 0.508μm [20μ"] MIN. NICKEL PLATED.  
LED SOLDER TAIL: 2.159μm [85μ"] MIN. TIN PLATED.



RoHS Compliant		HSM 玄茂科技股份有限公司 HSUAN MAO TECHNOLOGY CO., LTD.	
APPD. 核准	SCALE 比例 参考	TOLERANCES UNLESS OTHERWISE SPECIFIED: 0 PLC ±- 1 PLC ±0.25 2 PLC ±0.15 3 PLC ±0.10 ANGLES ±-	PART NAME 品名 SIDE ENTRY PCB JACK RJ45(8P8C)+RJ11(6PXC) WITH SHIELDED WITH LED (LEFT:YELLOW/RIGHT:GREEN) BLACK INSULATOR ROHS
DWG. 製圖 Betty	UNIT 單位 MM	SIZE. 紙張尺寸 A4	PART NO. 料號 C0233-(A,B,C)YXB100R
DATE 製表日 2018/06/08	PAGE 張數 1 OF 2	REV. 版次 A	

1 2 3 4 5 6 7 8



RECOMMENDED PCB LAYOUT  
 RECOMMENDED PCB THICKNESS: 1.6mm.  
 TOLERANCE: ±0.05 (TOP VIEW)  
 FOR RJ45-8P8C RJ11-6P6C

**P/N:C0233-CYXB100R**

RECOMMENDED PCB LAYOUT  
 RECOMMENDED PCB THICKNESS: 1.6mm.  
 TOLERANCE: ±0.05 (TOP VIEW)  
 FOR RJ45-8P8C RJ11-6P4C

**P/N:C0233-BYXB100R**

RECOMMENDED PCB LAYOUT  
 RECOMMENDED PCB THICKNESS: 1.6mm.  
 TOLERANCE: ±0.05 (TOP VIEW)  
 FOR RJ45-8P8C RJ11-6P2C

**P/N:C0233-AYXB100R**

RoHS Compliant		HSM 玄茂科技股份有限公司 HSUAN MAO TECHNOLOGY CO., LTD.	
APPD. 核准	Betty	SCALE 比例 參考 UNIT 單位 MM PAGE 張數 2 OF 2	TOLERANCES UNLESS OTHERWISE SPECIFIED: 0 PLC ± - 1 PLC ± 0.25 2 PLC ± 0.15 3 PLC ± 0.10 ANGLES ± -
DWG. 製圖			PART NAME 品名 SIDE ENTRY PCB JACK RJ45(8P8C)+RJ11(6PXC) WITH SHIELDED WITH LED (LEFT: YELLOW/RIGHT: GREEN) BLACK INSULATOR ROHS
DATE 制表日			PART NO. 料號 C0233-(A,B,C)YXB100R
2018/06/08			