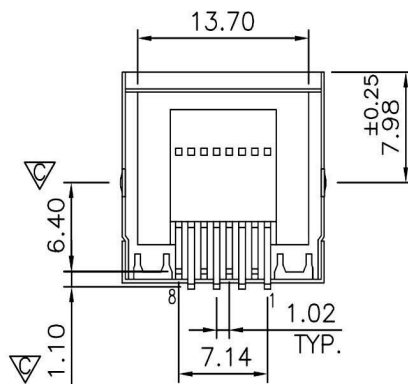
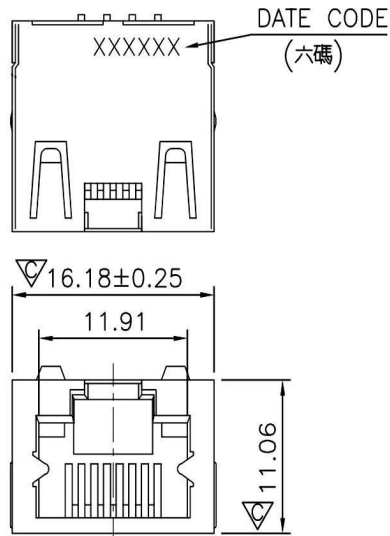


PCB LAYOUT  
Ref.



**MATERIAL:**

- HOUSING—DSM STANYL TE250F6 (NYLON-46)  
HEAT DEFLECTION TEMP.290°  
BLACK COLOR, UL94V-0
- CONTACTS—0.35mm THICK PHOS-BRONZE PLATED  
WITH HARD GOLD AND GOLD FLASH IN  
SOLDER AREA.
- SHIELD—0.20mm THICK COPPER ALLOY,  
PLATED WITH NICKEL.

CAVITY CONFIRMS TO FCC RULES AND REGULATIONS  
PART 68,SUBPART F.

"▽" SHOWS QIP INSPECTION POINT.

**SECIFICATION:**

CURRENT RATING :1.5A MAX

VOLTAGE RATING :150VAC MAX

OPERATION TEMP: -40°C~+85°C

INSULATION RESISTANCE:500MΩ Min INITIAL

/200MΩ Min FINAL

DIELECTRIC WITHSTANDING VOLTAGE:1K Vrms at 60Hz,1min

CONTACT RESISTAMCE:20mΩ Max

TOLERANCES UNLESS OTHERWISE NOTED		INCH	MM
LINEAR	MM	00 ±	0.0 ± 0.25
		000 ±	0.00 ± 0.20
	INCH	0000 ±	0.000 ± 0.10
ANGLE	± 0° 30'	RADII	+ 0.40 - 0.15

RoHS  
Compliant

**HSM** 玄茂科技股份有限公司  
**HSUAN MAO TECHNOLOGY CO., LTD.**

APPD.  
核准  
Betty  
DATE 制表日  
2019/07/10

SCALE  
比例 參考  
UNIT  
單位 MM  
PAGE  
張數 1 OF 1

PART NAME 品名  
SIDE ENTRY PCB JACK OFFSET TYPE(2.8mm)  
8P8C DIP TYPE WITH SHIELDED WITHOUT LED  
BLACK COLOR(MATERIAL:PA46) ROHS  
PART NO.  
料號 C0236-88YXBNX0R