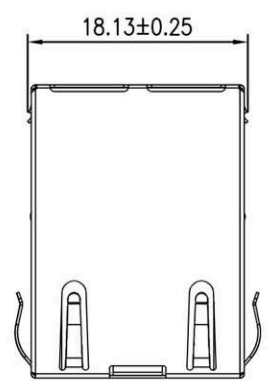


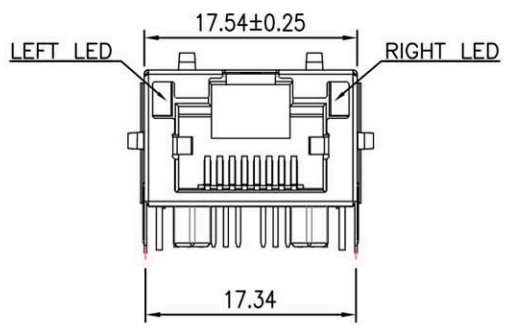
1 2 3 4 5 6 7 8

A



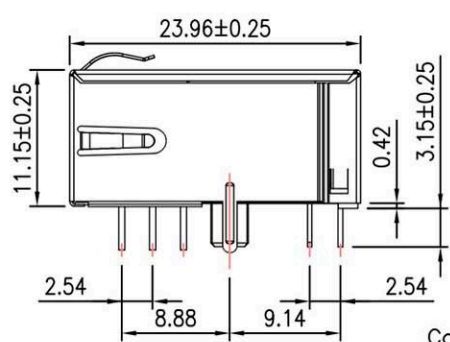
B

C



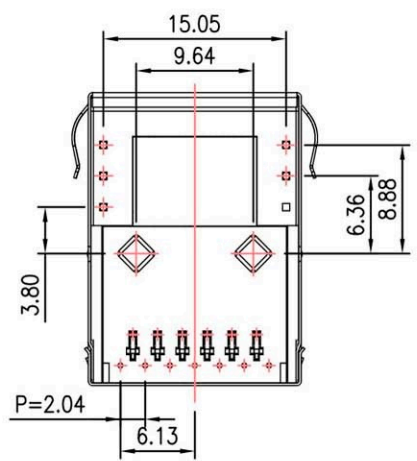
D

E



F

G



H

1 2 3 4 5 6 7 8

A

B

C

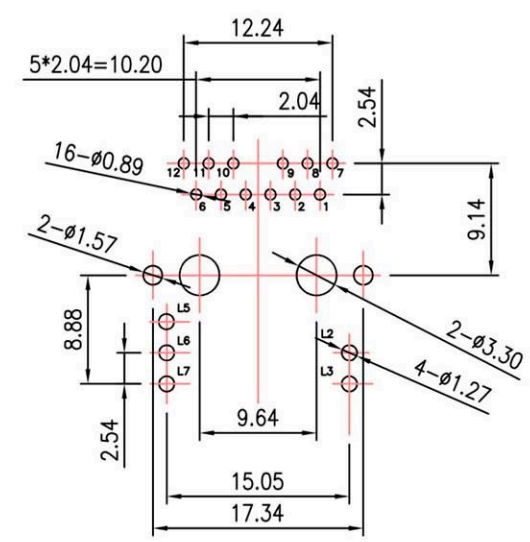
D

E

F

G

H

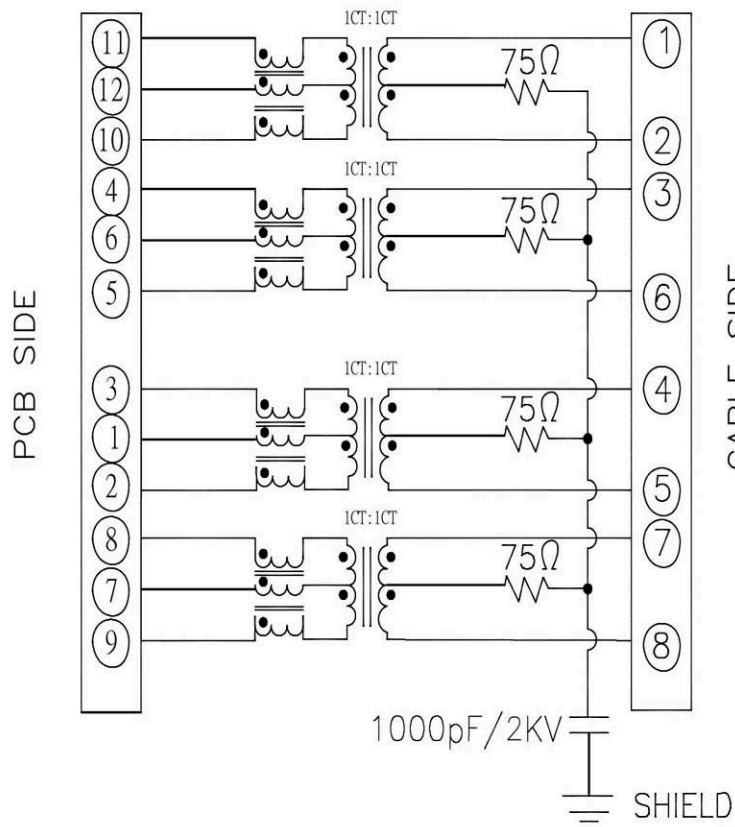


RECOMMENDED PCB LAYOUT COMPONENT SIDE

- Connect Material:
- 1.Housing: Thermoplastic,PA66,UL94V-0,Color:Black;
 - 2.Insert: Thermoplastic,PA66,UL 94V-0,Black;
 - 3.Shield: SUS201 T=0.2mm,Plating: 30u" Nickel Min;
 - 4.Input Terminal: Copper Plated Steel Wire
 - 5.Input And RJ45 Contact Terminal Plating: Nickel 40u"~60u" for all and Sn 100%
 - 6.RJ45 Contacts Terminal: Phosphor Bronze T=0.35mm Selective Gold Plated On Contact Area;
- Industrial operation temp.(-40°C to +85°C)

RoHS Compliant		HSM 玄茂科技股份有限公司 HSUAN MAO TECHNOLOGY CO., LTD.	
APPD. 核准 DWG. 製圖 DATE 制表日 2022/12/26	SCALE 比例 Helen UNIT 單位 MM PAGE 張數 1 OF 2	TOLERANCE 容許公差 0 ± 0.35 .00 ± 0.25 ANG. ± 5° SIZE 線規尺寸 A4 REV. 版本 A	PART NAME 品名 RJ45 TRANSFORMER PCB JACK UP LATCH WITH TABS WITH SHIELDED FLAT PIN SELECTIVE GOLD 30U" PLATING LEFT:BI-COLOR LED -GREEN & YELLOW;RIGHT:GREEN LED TRANSFORMER TYPE: TYPE 1 OPERATION TEMP.: -40°C ~ +85°C BLACK COLOR ROHS PART NO. 料號 C0243-88YIB5110R

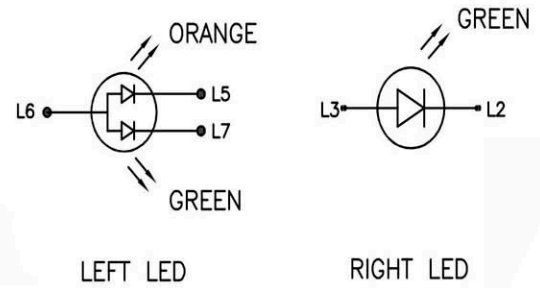
Schematic:



Electrical Specifications @25°C								
Turns Ratio (±2%)		OCL (uH Min.) @100 KHz/0.1V with 8mA DC Bias	Cross talk (dB Min.)				Hi-POT 1.0 mA (V)	
TX	RX		0.5-10 MHz	30 MHz	50 MHz	100 MHz	WITHOUT RESISTOR	WITH RESISTOR
1CT:1CT	1CT:1CT	350	-50	-40	-35	-30	1500 AC	2250 DC

Continue							
Insertion Loss (dB Max.)		Return Loss (dB Min.) @ Load 100 OHM					CMR (dB Min.)
1-100 MHz	100-125 MHz (10/100/1000)	1-30 MHz	30-50 MHz	60 MHz	60-80 MHz	80-100 MHz (10/100/1000)	1-100 MHz
-1.0	-1.2	-18	-16	-14	-12	-10	-30

LED POLARITY:



RoHS Compliant **HSM 玄茂科技股份有限公司**
HSUAN MAO TECHNOLOGY CO., LTD.

APPD. 核准	SCALE 比例	TOLERANCE 容許公差	PART NAME 品名 RJ45 TRANSFORMER PCB JACK UP LATCH WITH TABS WITH SHIELDED FLAT PIN SELECTIVE GOLD 30U" PLATING LEFT:BI-COLOR LED -GREEN & YELLOW;RIGHT:GREEN LED TRANSFORMER TYPE: TYPE 1 OPERATION TEMP.: -40°C ~ +85°C BLACK COLOR ROHS
DWG. 製圖	UNIT 單位	SIZE 線張尺寸	
DATE 制表日	PAGE 張數	REV. 版本	
Helen	M M	A 4	PART NO. 料號 C0243-88YIB51I0R
2022/12/26	2 OF 2	A	