

**RECOMMENDED PCB LAYOUT COMPONENT SIDE**

**Connect Material:**

- 1.Housing: Thermoplastic,PA66,UL94V-0,Color:Black;
- 2.Insert: Thermoplastic,PA66,UL 94V-0,Black;
- 3.Shield: SUS201 T=0.2mm,Plating: 30u" Nickel Min;
- 4.Input Terminal: Copper Plated Steel Wire
- 5.Input And RJ45 Contact Terminal Plating: Nickel 40u"~60u" for all and Sn 100%
- 6.RJ45 Contacts Terminal: Phosphor Bronze T=0.35mm Gold Plated On Contact Area;

**\*\* Industrial operation temp.(-40°C to +85°C)**

<p>RoHS Compliant</p>		<p><b>HSM</b> 玄茂科技股份有限公司 HSUAN MAO TECHNOLOGY CO., LTD.</p>	
<p>APPD. 核准</p>		<p>TOLERANCE UNLESS OTHERWISE SPECIFIED .X± 0.38   X."± 2.0" .XX± 0.20   .X"± 1.0" .XXX± 0.10</p>	<p>PART NAME 品名 RJ45 TRANSFORMER PCB JACK UP LATCH WITH TABS WITH SHIELDED FLAT PIN LEFT:BI-COLOR LED -ORANGE &amp; GREEN;RIGHT:YELLOW LED TRANSFORMER TYPE: TYPE 1 OPERATION TEMP.: -40°C ~ +85°C BLACK COLOR ROHS</p>
<p>DWG. 製圖</p>	<p>Betty</p>	<p>SCALE 比例 參考</p>	<p>PART NO. 料號 C0243-88YXB6110R</p>
<p>DATE 制表日</p>	<p>2022/12/14</p>	<p>UNIT 單位 M M</p>	<p>REV. 版次 A</p>
<p>PAGE 1 OF 2</p>		<p>紙張尺寸 A 4</p>	<p>料號 C0243-88YXB6110R</p>

1 2 3 4 5 6 7 8

A

B

C

D

E

F

G

H

A

B

C

D

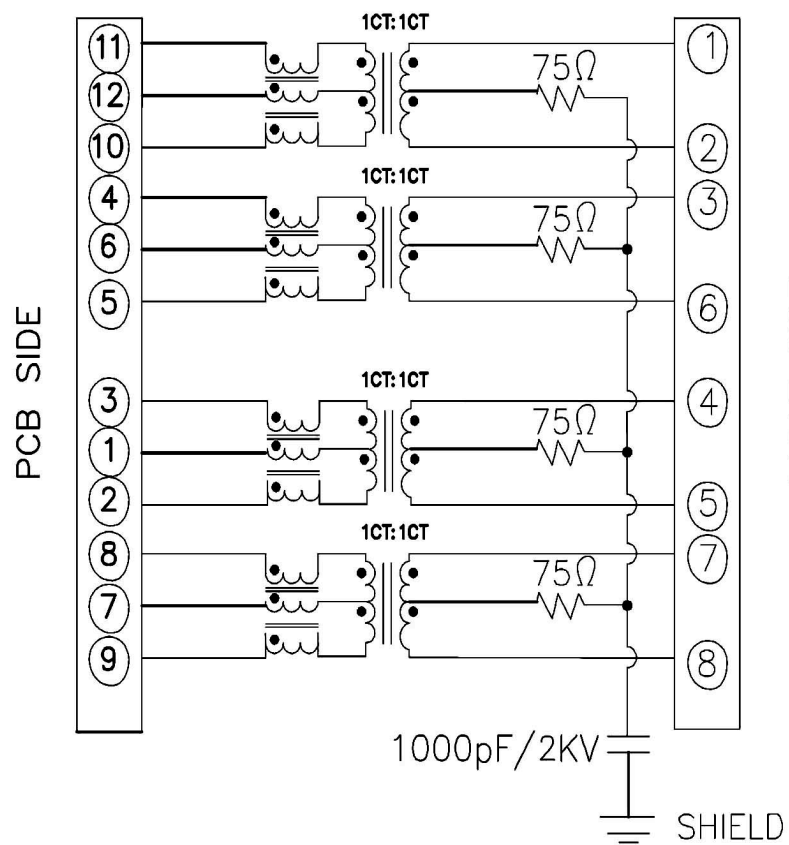
E

F

G

H

Schematic:



Electrical Specifications @25°C

Turns Ratio (±2%)		OCL (uH Min.) ⊙100 KHz/0.1V with 8mA DC Bias	Cross talk (dB Min.)				Hi-POT 1.0 mA (V)	
TX	RX		0.5-10 MHz	30 MHz	50 MHz	100 MHz	WITHOUT RESISTOR	WITH RESISTOR
1CT:1CT	1CT:1CT	350	-50	-40	-35	-30	1500 AC	2250 DC

Continue

Insertion Loss (dB Max.)		Return Loss (dB Min.) ⊙ Load 100 OHM					CMR (dB Min.)
1-100 MHz	100-125 MHz (10/100/1000)	1-30 MHz	30-50 MHz	60 MHz	60-80 MHz	80-100 MHz (10/100/1000)	1-100 MHz
-1.0	-1.2	-18	-16	-14	-12	-10	-30

RoHS Compliant

**HSM** 玄茂科技股份有限公司  
HSUAN MAO TECHNOLOGY CO., LTD.

APPD. 核准  
DWG. 製圖 Betty  
DATE 制表日  
2022/12/14

SCALE 比例 參考  
UNIT 單位 MM  
PAGE 張數 2 OF 2

TOLERANCE UNLESS OTHERWISE SPECIFIED  
.XX ± 0.38 | X.\* ± 2.0  
.XX ± 0.20 | X.\* ± 1.0  
SIZE 紙張尺寸 A 4  
REV. 版次 A

PART NAME 品名  
RJ45 TRANSFORMER PCB JACK UP LATCH WITH TABS WITH SHIELDED FLAT PIN LEFT:BI-COLOR LED -ORANGE & GREEN;RIGHT:YELLOW LED TRANSFORMER TYPE: TYPE 1 OPERATION TEMP.: -40°C ~ +85°C BLACK COLOR ROHS  
PART NO.  
料號 C0243-88YXB6110R

1 2 3 4 5 6 7 8