

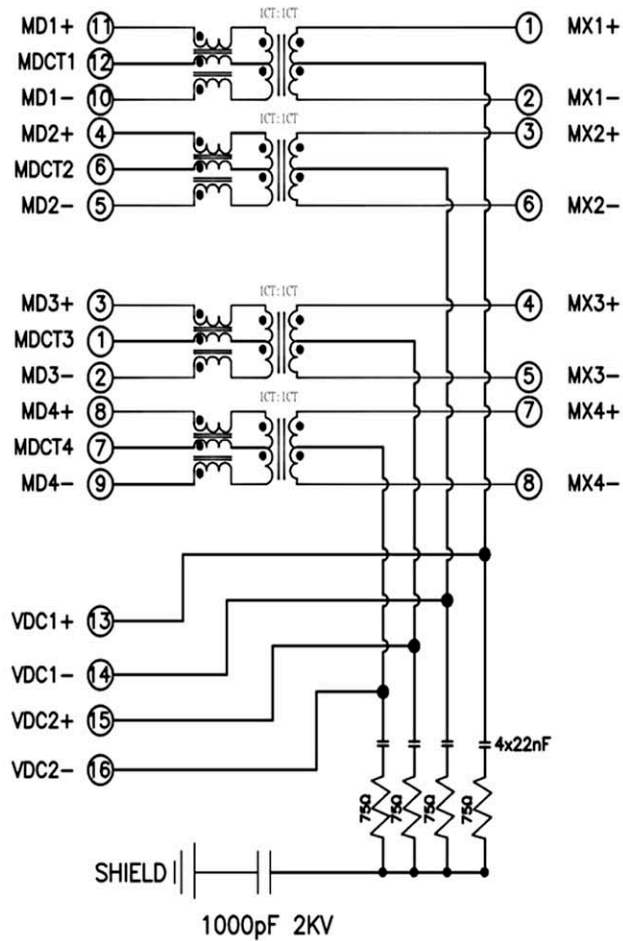
Suggested PCB Layout
All dim. tolerance are ±0.05mm.

NOTE:

1. Shielded – 0.20mm Thickness Brass C2680 H.
Plating Nickel 20u"Min.
2. Housing– Standard Material Nylon66,Glass Filled Polyester
UL94V-0 Standard Color Black.
3. RJ Terminal– Plastic:Nylon66, UL94V-0, Standard Color Black.
Pin:0.35mm Thickness Phosphor Bronze C5210 EH.
Plating:Nickel 40u"~60u" for all and Sn 100%,and Gold Plating.
4. Input Terminal– Plastic:Nylon66,UL94V-0, Standard Color Black.
Pin:Ø0.40mm Copper Plated Steel Wire.
Plating:Nickel 40u"~60u" for all and Sn 100%.

RoHS Compliant		HSM 玄茂科技股份有限公司 HSUAN MAO TECHNOLOGY CO., LTD.	
APPD. 核准 Betty		TOLERANCE 容許公差 X ±0.38 X°±2.0° XX ±0.20 X°±1.0° XXX±0.10	PART NAME 品名 MODULAR JACK RJ45 GIGA POE W/TRANSFORMER UP LATCH W/ TABS W/ SHIELDED(BEFOR FOOT 3.18MM) FLAT PIN LEFT:BI-COLOR LED-GREEN 7 ORANGE;RIGHT:YELLOW LED TRANSFORMER TYPE: TYPE 1 OPERATION TEMP.: -40°C ~ +85°C BLACK COLOR ROHS
DWG. 製圖 Lena	SCALE 比例 參考	UNIT 單位 MM	PART NO. C0247-AYXB7110R
DATE 制表日 2023/8/15	PAGE 張數 1 OF 2	REV. 版本 A	料號 C0247-AYXB7110R

PCB SIDE



CABLE SIDE

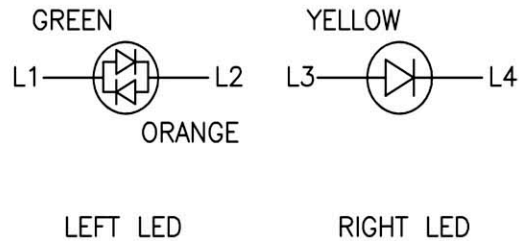
Electrical Specifications @25°C

Turns Ratio (±2%)		OCL (uH Min.) ⊕100 KHz/0.1V with 8mA DC Bias	Cross talk (dB Min.)				Hi-POT 1.0 mA (V)	
TX	RX		0.5-10 MHz	30 MHz	50 MHz	100 MHz	WITHOUT Resistance	WITH Resistance
1CT:1CT	1CT:1CT	350	-50	-40	-35	-30	1500 AC	2250 DC

Continue

Insertion Loss (dB Max.)		Return Loss (dB Min.) ⊕ Load 100 OHM					CMR (dB Min.)
1-100 MHz	100-125 MHz (10/100/1000)	1-30 MHz	30-50 MHz	60 MHz	60-80 MHz	80-100 MHz (10/100/1000)	1-100 MHz
-1.0	-1.2	-18	-16	-14	-12	-10	-30

Compliant with IEEE 802.3bt for 10/100/1000 Base-T applications
Balanced DC line current: 1A MAX ⊕57VDC continuous



RoHS Compliant		HSM 玄茂科技股份有限公司 HSUAN MAO TECHNOLOGY CO., LTD.	
APPD. 核准 Betty DWG. 製圖 Lena DATE 制表日 2023/8/15	SCALE 比例 參考 UNIT 單位 MM PAGE 張數 1 OF 2	TOLERANCE 容許公差 X ±0.38 X°±2.0° XX ±0.20 X°±1.0° XXX±0.10 SIZE 線徑尺寸 A 4 REV. 版本 A	PART NAME 品名 MODULAR JACK RJ45 GIGA POE W/TRANSFORMER UP LATCH W/ TABS W/ SHIELDED(BEFOR FOOT 3.18MM) FLAT PIN LEFT:BI-COLOR LED-GREEN 7 ORANGE,RIGHT:YELLOW LED TRANSFORMER TYPE: TYPE 1 OPERATION TEMP.: -40°C ~ +85°C BLACK COLOR ROHS PART NO. 料號 C0247-AYXB7110R