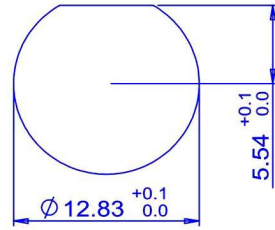
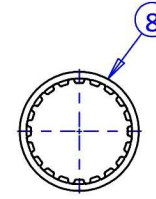


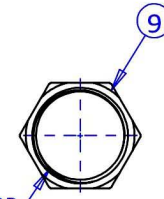
RECOMMEND PC BOARD LAYOUT
WITHOUT MOUNTING POSTS



RECOMMENDED MOUNTING HOLE
MAXIMUM PANEL THICKNESS: 5.5mm

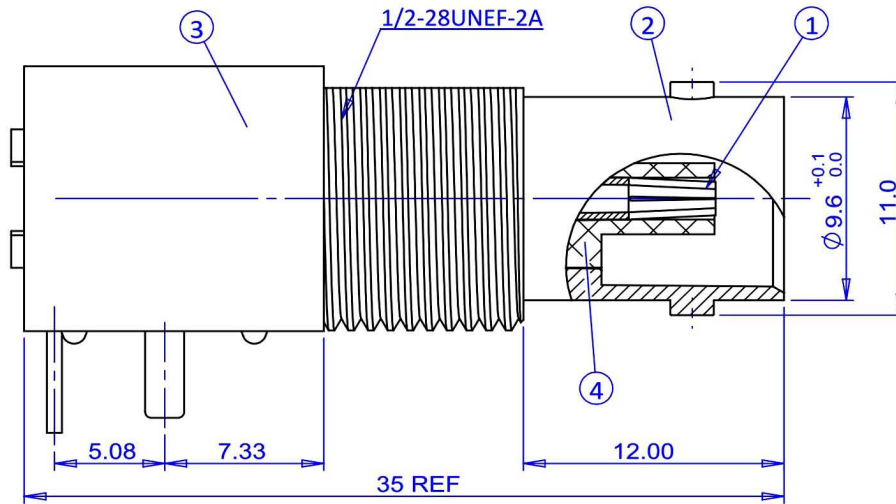
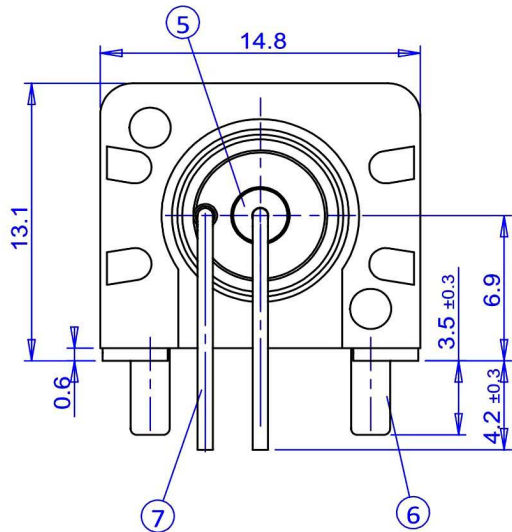


LOCK WASHER



CLAMP NUT

1/2-28UNEF-2B



MATERIAL & FINISH

- 1.CENTER CONTACT : PHOSPHOR BRONZE, GOLD PLATING
- 2.BODY : ZINC ALLOY, NICKEL PLATING
- 3.HOUSING : PBT (94 V-0), BLACK
- 4&5.INSULATOR : PE-606
- 6.MOUNTING POST : BRASS, TIN PLATING
- 7.SOLDER TALL: COPPER WIRE, TIN PLATING
- 8.WASHER : STEEL, NICKEL PLATING
- 9.NUT : BRASS, NICKEL PLATING

RoHS
Compliant

HSM 玄茂科技股份有限公司
HSUAN MAO TECHNOLOGY CO., LTD.

APPD.
核准
Betty
DATE 制表日
2018/02/01

SCALE
比例 参考
UNIT
單位 M M
PAGE
張數 1 OF 1

UNLESS OTHERWISE SPECIFIED
DIMENSIONS ARE IN mm
TOLERANCES ARE:
.X ± 0.5
.XX ± 0.3
.XXX ± 0.2
ANGLES ± 3 DEG
PART NAME 品名
BNC CONNECTOR RIGHT ANGLE TYPE
WITHOUT FILTER W/ ACCESSORIES
50ohms BODY HEIGHT:13.16mm
BLACK PLASTIC COVER ROHS
PART NO.
料號 C0401-RNAAB001R