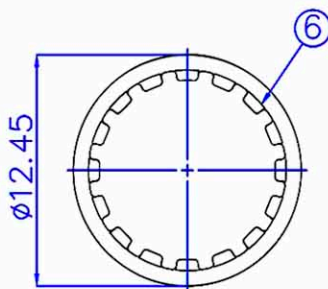
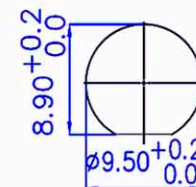
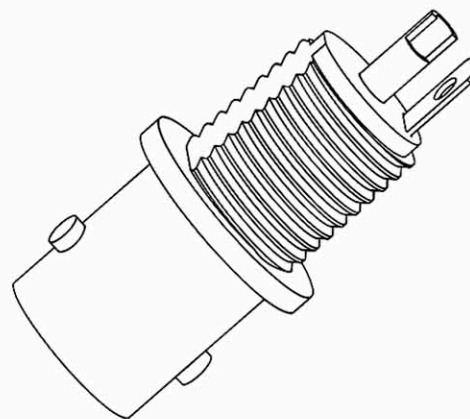


CLAMP NUT



LOCK WASHER



RECOMMENDED MOUNTING HOLE

MATERIAL & FINISH

- 1. BODY : ZINC ALLOY, NICKEL PLATED
- 2. CENTER CONTACT : PHOSPHOR BRONZE, GOLD PLATED
- 3. INSULATOR : PBT (94 V-0)
- 4. GROUND RING : BRASS, TIN PLATED
- 5. NUT : IRON, NICKEL PLATING
- 6. WASHER : STEEL, NICKEL PLATING

RoHS
Compliant

HSM 玄茂科技股份有限公司
HSUAN MAO TECHNOLOGY CO., LTD.

APPD. 核准 Betty
DWG. 製圖 Lena
DATE 制表日 2022/3/16

SCALE 比例 參考
UNIT 單位 MM
PAGE 張數 1 OF 1

TOLERANCE
0 ±0.5
.00 ±0.3
.000 ±0.2
ANG ±0.1
±3

SIZE 紙張尺寸 A4
REV. 版本 B

PART NAME 品名
BNC FEMALE ISOLATED GROUND BULKHEAD STRAIGHT 50
OHMS BODY MATERIAL ZINC ALLOY/NICKEL PLATED CENTER
CONTACT BRASS/GOLD PLATED W/HEX NUT & WASHER
NICKEL PLATED WHITE COLOR(MATERIAL:PBT) ROHS

PART NO.
料號 C0404-BJSAMW00R