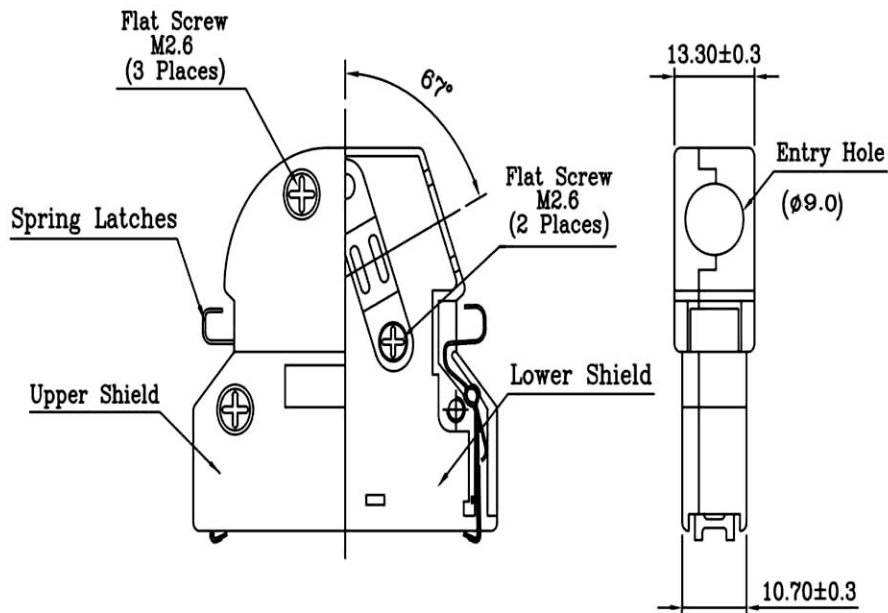
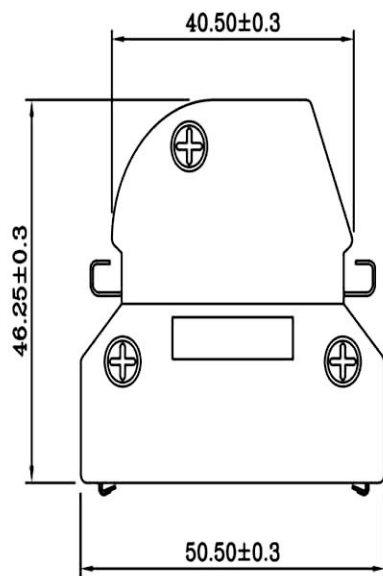
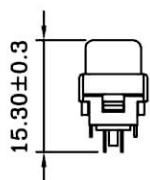
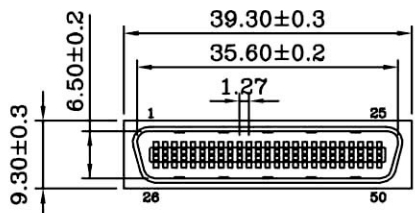


● **MATERIALS: (RoHS Compliant)**

Housing: Plastic Thermoplastic
P.B.T UL94V-0 Black
Contacts: Phosphor Bronze Gold
Selective Plated
Front Shell: Steel Nickel Plated Over Copper

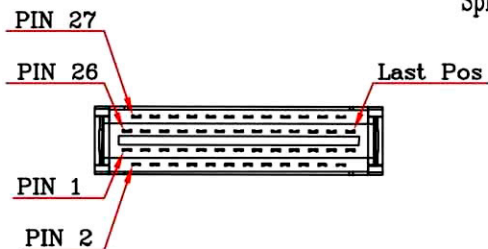
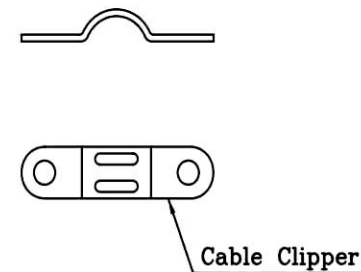
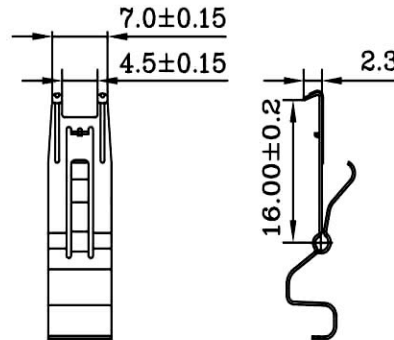
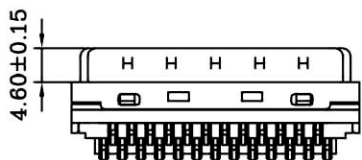
● **ELECTRICAL CHARACTERISTICS:**

Contact Current Rating: 0.5 Amp
Dielectric Withstanding Voltage: 500V AC
Insulation Resistance: >500MΩ/Min
Contact Resistance: 35mΩ/Max
Operation Temperature: -55°C ~ +85°C



● **MATERIALS: (RoHS Compliant)**

Back Shell: Zinc Alloy Nickel Plated Over Copper
Flat Screws: Steel Nickel Plated Over Copper
Cable Clipper: Steel Nickel Plated Over Copper
Spring Latches: Stainless Steel



<p>RoHS Compliant</p>		<p>HSM 玄茂科技股份有限公司 HSUAN MAO TECHNOLOGY CO., LTD.</p>	
<p>APPD. 核准</p>		<p>TOLERANCE 容許公差</p> <p>0 ± 0.35 0.00 ± 0.25 ANG. ± 3°</p>	<p>PART NAME 品名</p> <p>1.27mm SCSI II CEN. SOLDER CONNECTOR 50P MALE SPRING LATCHES(STAINLESS STEEL) METAL HOOD 67° (ZINC PLATED NICKEL OVER COPPER) ENTRY HOLE SIZE:φ9.0mm SELECTIVE GOLD 5U" PLATING HP CN 50P MALE SOLDER ASSEMBLY ROHS</p>
<p>DWG. 製圖</p> <p>Helen</p>	<p>SCALE 比例</p> <p>參 考</p>	<p>UNIT 單位</p> <p>MM</p>	<p>PART NO.</p> <p>C0502-50MBLEZ0R</p>
<p>DATE 制表日</p> <p>2016/7/15</p>	<p>PAGE 張數</p> <p>1 OF 1</p>	<p>REV. 版本</p> <p>A</p>	<p>料 號</p> <p>C0502-50MBLEZ0R</p>