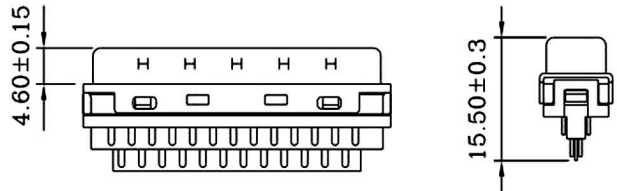
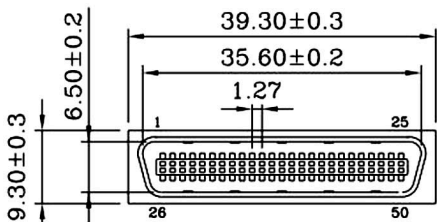
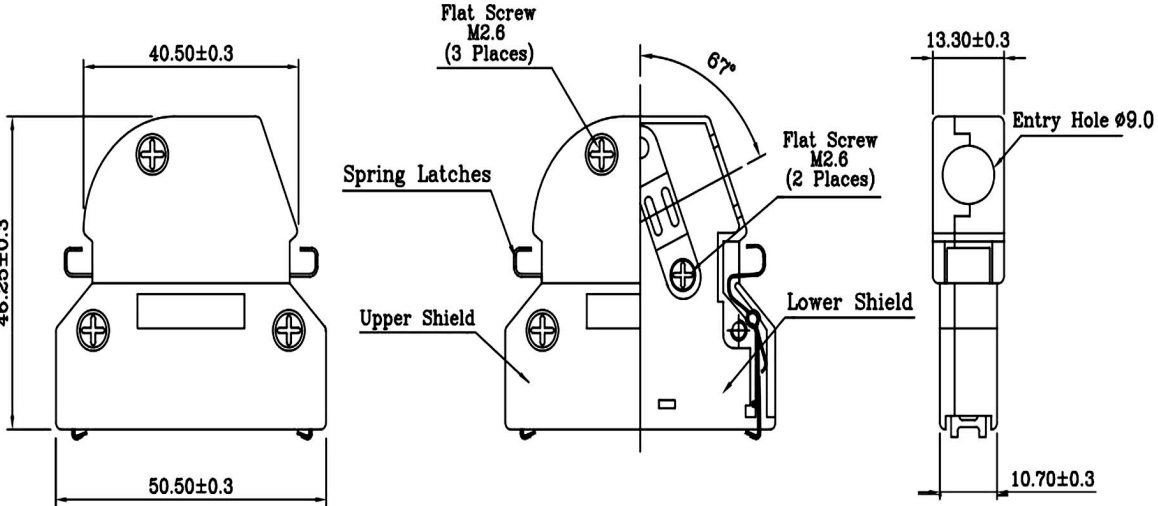


- **MATERIALS: (RoHS Compliant)**  
 Housing: Plastic Thermoplastic  
 P.B.T UL94V-0 Black  
 Contacts: Phosphor Bronze Gold  
 Selective Plated  
 Front Shell: Steel Nickel Plated Over Copper

- **ELECTRICAL CHARACTERISTICS:**  
 Contact Current Rating: 0.5 Amp  
 Dielectric Withstanding Voltage: 500V AC  
 Insulation Resistance: >500MΩ/Min  
 Contact Resistance: 35mΩ/Max  
 Operation Temperature: -55°C ~ +85°C



- **MATERIALS: (RoHS Compliant)**  
 Back Shell: Zinc Alloy Nickel Plated Over Copper  
 Flat Screws: Steel Nickel Plated Over Copper  
 Cable Clipper: Steel Nickel Plated Over Copper  
 Spring Latches: Stainless Steel

RoHS  
Compliant

**HSM** 玄茂科技股份有限公司  
**HSUAN MAO TECHNOLOGY CO., LTD.**

APPD. 核准	Betty	DATE 制表日	20163/07/15
DWG. 製圖		PAGE 張數	1 OF 1

SCALE 比例	參考
UNIT 單位	MM
PAGE 張數	1 OF 1

TOLERANCE 容許公差	0 ± 0.30 .00 ± 0.20 ANG. ± 3°
SIZE 紙張尺寸	A 4
REV. 版次	A
PART NAME 品名	1.27mm SCSI II CEN. SOLDER CONNECTOR 50P MALE SPRING LATCHES(STAINLESS STEEL) METAL HOOD 67° (ZINC PLATED NICKEL OVER COPPER) ENTRY HOLE SIZE:φ9.0mm HP CN 50P MALE SOLDER ASSEMBLY ROHS
PART NO.	C0503-50MBLXZ0R
料號	C0503-50MBLXZ0R