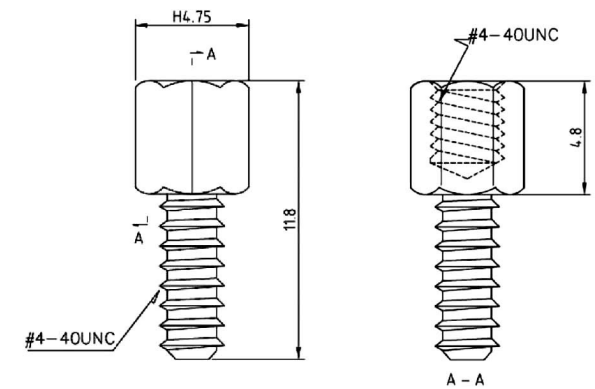


1. Notes:
 Contacts Height For Pin #14 Is .185[4.70mm]
 Balance Of Contacts .215[5.46mm]

2. Specification
 Voltage Rating: 40V AC (R.M.S)
 Current Rating: 1.5 Amps.
 Contact Resistance: 20 Milliohms Maximum.
 Insulation Resistance: 1000 Megohms Minimum.
 Dielectric Withstanding Voltage: 500V AC (RMS)
 Operating Temp: -20°C to +80°C
 Mating Force: 10 LB.(4.5Kgf) Maximum.
 Unmating Force: 2.2 LB.(1 Kgf) Minimum.
 8.8 LB.(4 Kgf) Maximum.

3. Material:
 Housing: Thermoplastic, UL94V-0
 Contact: Brass, Gold Plated
 Shell: Steel, Tin Plated
 SCREW: 4.80*11.8MM, Brass, Nickel Plated



| | | | |
|------------------------|-------------------|---|--|
| RoHS Compliant | | HSM 玄茂科技股份有限公司 HSUAN MAO TECHNOLOGY CO., LTD. | |
| APPD. 核准 HELEN | SCALE 比例 參考 | TOLERANCE 容許公差 X ±0.30 XX ±0.25 XXX ±0.15 Ang. ±2° | PART NAME 品名 DVI CONNECTOR DIGITAL 24MALE SOLDER TYPE ADD SCREWS SELECTIVE GOLD STEEL SHELL NICKEL PLATING ROHS |
| DWG. 製圖 ABBY | UNIT 單位 MM | SIZE 紙張尺寸 A4 | PART NO. 料號 C0507-24MLBSX0R |
| DATE 制表日 2016/02/19 | PAGE 張數 1 OF 1 | REV. 版次 A | |