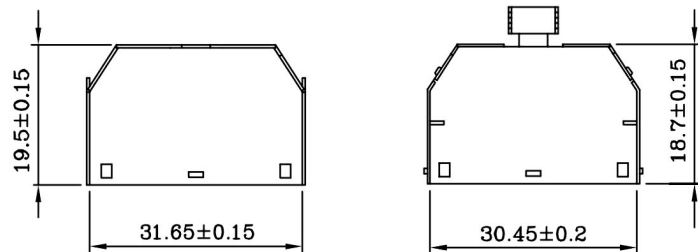
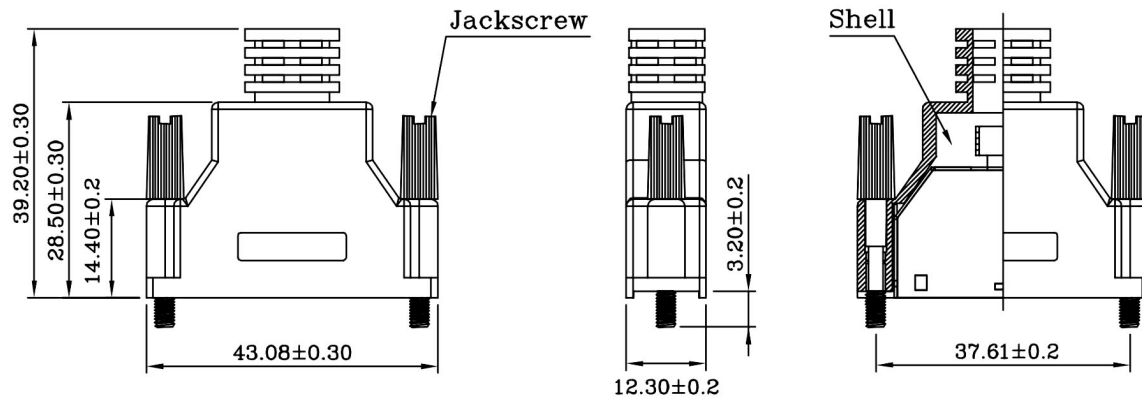
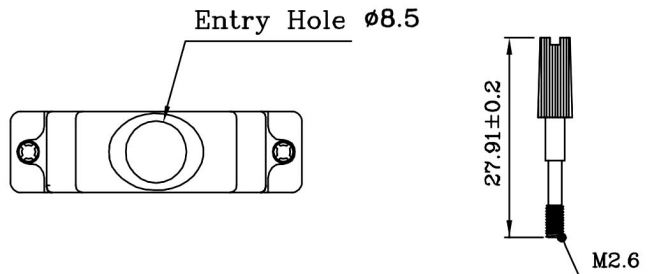


● **MATERIALS: (RoHS Compliant)**

Hood: Plastic Thermoplastic ABS UL 94V-0
 Jackscrews: Steel Nickel Plated Over Copper
 Jackscrews Hood: PVC
 Inner Shell: Steel Nickel Plated Over Copper

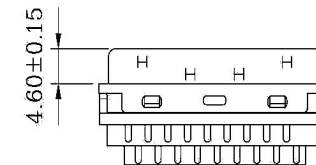
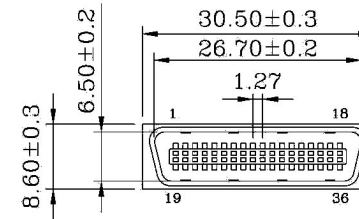


● **MATERIALS: (RoHS Compliant)**

Housing: Plastic Thermoplastic
 P.B.T UL94V-0 Black
 Contacts: Phosphor Bronze Gold
 Selective Plated
 Front Shell: Steel Nickel Plated Over Copper

● **ELECTRICAL CHARACTERISTICS:**

Contact Current Rating: 0.5 Amp
 Dielectric Withstanding Voltage: 500V AC
 Insulation Resistance: >500MΩ/Min
 Contact Resistance: 35mΩ/Max
 Operation Temperature: -55°C ~ +85°C



RoHS
 Compliant

HSM 玄茂科技股份有限公司
 HSIUAN MAO TECHNOLOGY CO., LTD.

APPD. 核准		TOLERANCE 容許公差	PART NAME 品名
DWG. 製圖	SCALE 比例	.0 ± 0.30 .00 ± 0.20 ANG. ± 3°	1.27mm SCSI II CEN. SOLDER CONNECTOR 36P MALE JACKSCREWS M2.6*2PCS PLASTIC HOOD BLACK INSULATOR ENTRY HOLE SIZE:ø8.5mm HP CEN. 26P MALE JACKSCREW ASSEMBLY ROHS
DATE 制表日	UNIT 單位	SIZE. 紙張尺寸	PART NO.
2016/10/21	M M	A 4	C0512-36MJCXB0R
	PAGE 張數	REV. 版次	料號
	1 OF 1	A	

A

B

C

D

E

F

G

H

A

B

C

D

E

F

G

H

1

2

3

4

5

6

7

8