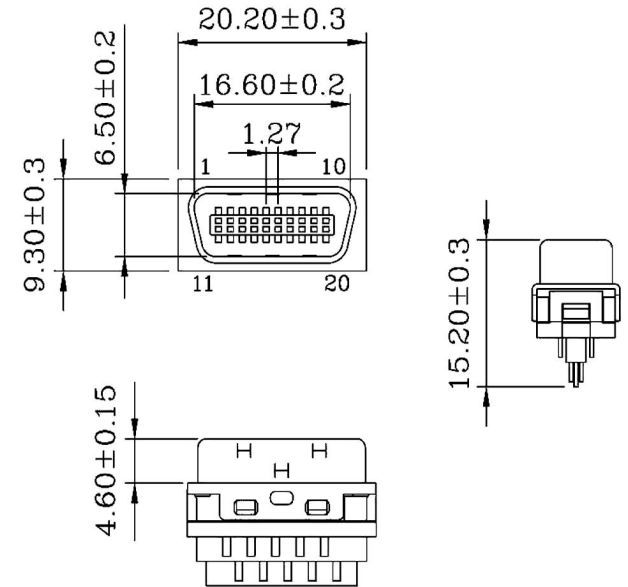
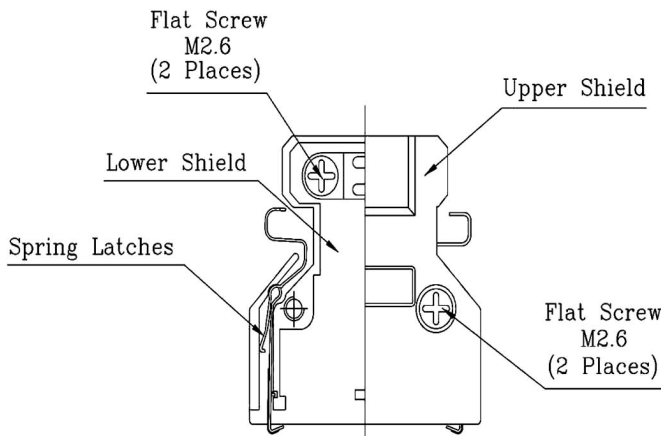
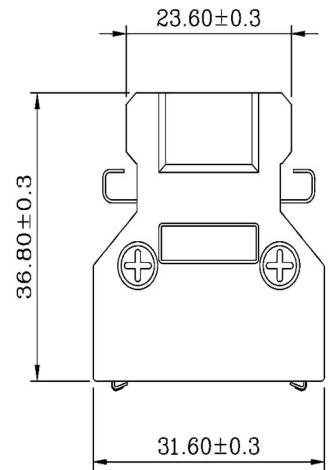


《HP · CN》



- MATERIALS:(RoHS Compliant)
 Back Shell: Zinc Alloy Nickel Plated Over Copper
 Flat Screws: Steel Nickel Plated Over Copper
 Cable Clipper: Steel Nickel Plated Over Copper
 Spring Latches: Stainless Steel

- MATERIALS: (RoHS Compliant)
 Housing: Plastic Thermoplastic
 P.B.T UL94V-0 Black
 Contacts: Phosphor Bronze Gold
 Selective Plated
 Front Shell: Steel Nickel Plated Over Copper
- ELECTRICAL CHARACTERISTICS:
 Contact Current Rating: 0.5 Amp
 Dielectric Withstanding Voltage: 500V AC
 Insulation Resistance: >500MΩ/Min
 Contact Resistance: 35mΩ/Max
 Operation Temperature: -55°C ~ +85°C

RoHS Compliant		HSM 玄茂科技股份有限公司 HSUAN MAO TECHNOLOGY CO., LTD.	
APPD. 核准 Betty	SCALE 比例 参考	TOLERANCE 容許公差 .0 ± .00 ± ANG. ±	PART NAME 品名 1.27mm SCSII CEN. SOLDER CONNECTOR 20P MALE SPRING LATCHES(STAINLESS STEEL) METAL HOOD(ZINC PLATED NICKEL OVER COPPER) ENTRY HOLE SIZE:φ7mm SELECTIVE GOLD 5U" PLATING HP CN 20P MALE SOLDER ASSEMBLY ROHS
DWG. 製圖 Betty	UNIT 單位 MM	SIZE. 紙張尺寸 A4	PART NO. 料號 C0515-20MFLEZ0R
DATE 製表日 2017/06/13	PAGE 張數 1 OF 1	REV. 版次 C	