

● MATERIALS: (RoHS Compliant)

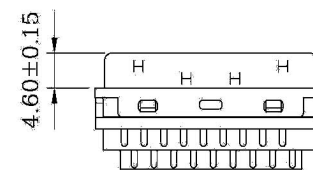
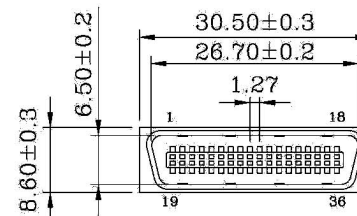
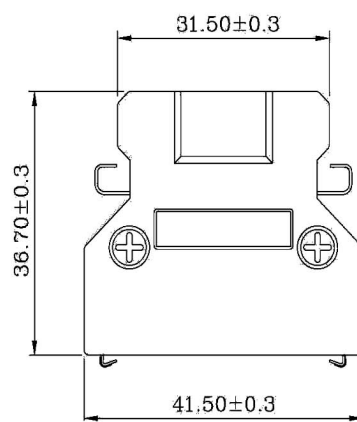
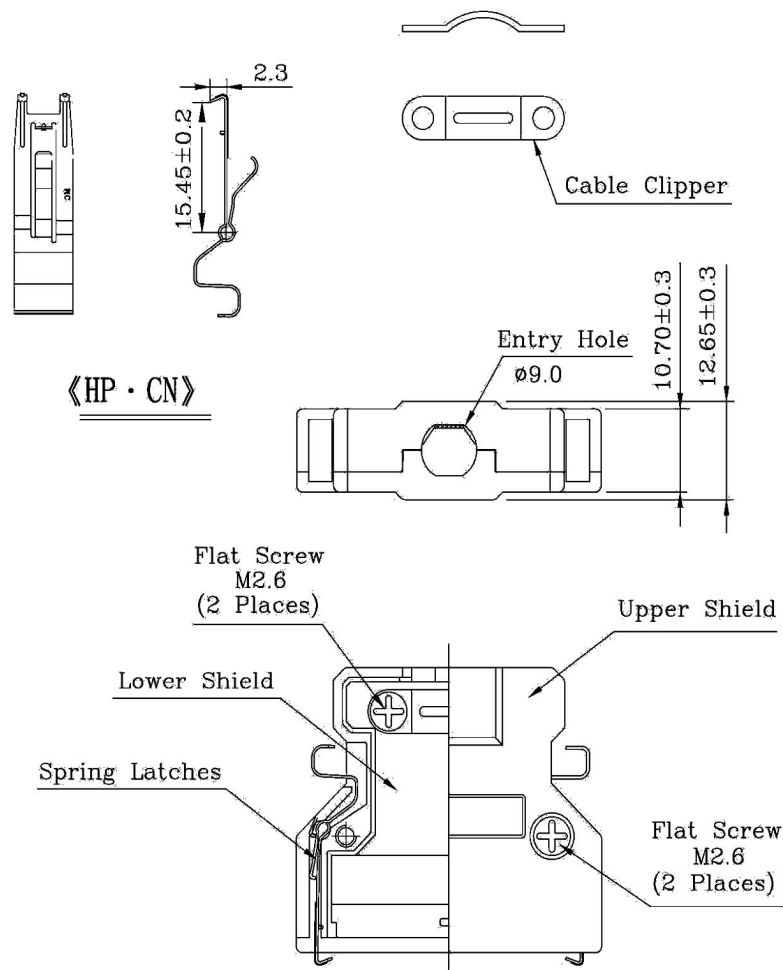
Back Shell: Zinc Alloy Nickel Plated Over Copper
 Flat Screws: Steel Nickel Plated Over Copper
 Cable Clipper: Steel Nickel Plated Over Copper
 Spring Latches: Stainless Steel

● MATERIALS: (RoHS Compliant)

Housing: Plastic Thermoplastic
 P.B.T UL94V-0 Black
 Contacts: Phosphor Bronze Gold
 Selective Plated
 Front Shell: Steel Nickel Plated Over Copper

● ELECTRICAL CHARACTERISTICS:

Contact Current Rating: 0.5 Amp
 Dielectric Withstanding Voltage: 500V AC
 Insulation Resistance: >500MΩ/Min
 Contact Resistance: 35mΩ/Max
 Operation Temperature: -55°C ~ +85°C



RoHS Compliant		HSM 玄茂科技股份有限公司 HSUAN MAO TECHNOLOGY CO., LTD.	
APPD. 核准 Betty	SCALE 比例 参考	TOLERANCE 容許公差 .0 ± 0.30 .00 ± 0.20 ANG. ± 3°	PART NAME 品名 1.27mm SCSI II CEN. SOLDER CONNECTOR 36P MALE SPRING LATCHES(STAINLESS STEEL) METAL HOOD(ZINC PLATED NICKEL OVER COPPER) ENTRY HOLE SIZE:φ9mm HP CN 36P MALE SOLDER ASSEMBLY ROHS
DWG. 製圖 Betty	UNIT 單位 MM	SIZE 紙張尺寸 A 4	PART NO. C0515-36MBLXZ0R
DATE 制表日 2014/03/06	PAGE 張數 1 OF 1	REV. 版次 B	料號 C0515-36MBLXZ0R