

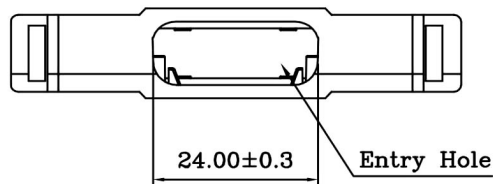
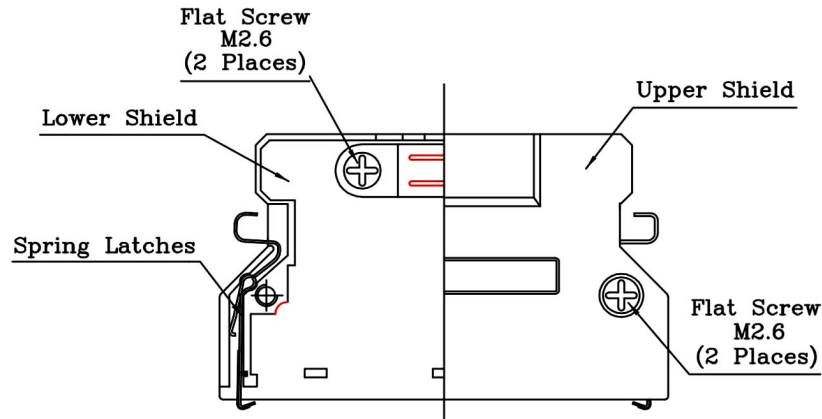
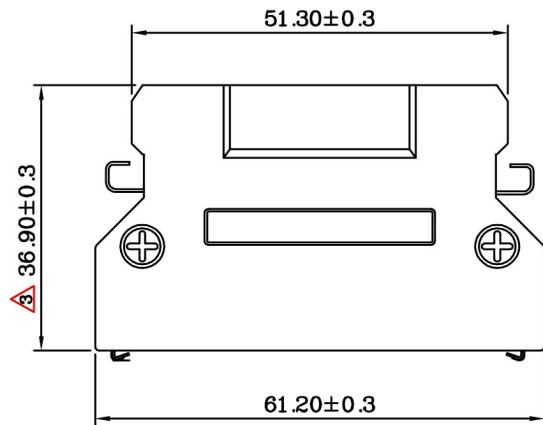
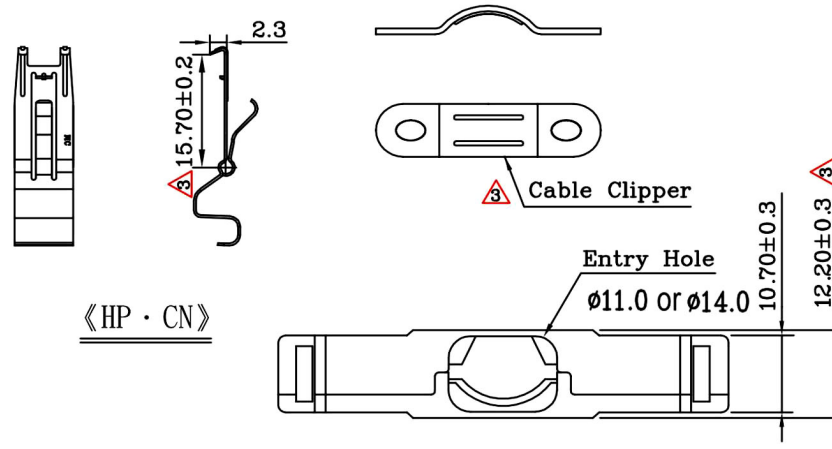
● **MATERIALS: (RoHS Compliant)**
 Housing: Plastic Thermoplastic
 P.B.T UL94V-0 Black
 Contacts: Phosphor Bronze Gold
 Selective Plated
 Front Shell: Steel Nickel Plated Over Copper

● **ELECTRICAL CHARACTERISTICS:**
 Contact Current Rating: 0.5 Amp
 Dielectric Withstanding Voltage: 500V AC
 Insulation Resistance: >500MΩ/Min
 Contact Resistance: 35mΩ/Max
 Operation Temperature: -55°C ~ +85°C

RoHS Compliant		HSM 玄茂科技股份有限公司 HSUAN MAO TECHNOLOGY CO., LTD.	
APPD. 核准	SCALE 比例 参考	TOLERANCE 容許公差	PART NAME 品名
DWG. 製圖 Betty		.0 ± 0.30 .00 ± 0.20 ANG. ± 3°	1.27mm SCSI II CEN. SOLDER CONNECTOR 68P MALE SPRING LATCHES(STAINLESS STEEL) METAL HOOD(ZINC PLATED NICKEL OVER COPPER) ENTRY HOLE SIZE:φ11mm or φ14mm SELECTIVE GOLD 5U" PLATING HP CEN 68P MALE SOLDER ASSEMBLY ROHS
DATE 制表日	UNIT 單位 M M	SIZE. 紙張尺寸 A 4	PART NO.
2015/06/01	PAGE 張數 1 OF 2	REV. 版次 C	料號 C0515-68MXLEZ0R

● MATERIALS: (RoHS Compliant)

- Back Shell: Zinc Alloy Nickel Plated Over Copper
- Flat Screws: Steel Nickel Plated Over Copper
- Cable Clipper: Steel Nickel Plated Over Copper
- Spring Latches: Stainless Steel



RoHS Compliant		HSM 玄茂科技股份有限公司 HSUAN MAO TECHNOLOGY CO., LTD.	
APPD. 核准	SCALE 比例	TOLERANCE 容許公差	PART NAME 品名
DWG. 製圖	Betty	.0 ± 0.30 .00 ± 0.20 ANG. ± 3°	1.27mm SCSI II CEN. SOLDER CONNECTOR 68P MALE SPRING LATCHES(STAINLESS STEEL) METAL HOOD(ZINC PLATED NICKEL OVER COPPER) ENTRY HOLE SIZE:φ11mm or φ14mm SELECTIVE GOLD 5U" PLATING HP CEN 68P MALE SOLDER ASSEMBLY ROHS
DATE 制表日	UNIT 單位	SIZE. 紙張尺寸	PART NO.
2015/06/01	M M	A 4	C0515-68MXLEZ0R
	PAGE 張數	REV. 版次	料號
	2 OF 2	C	