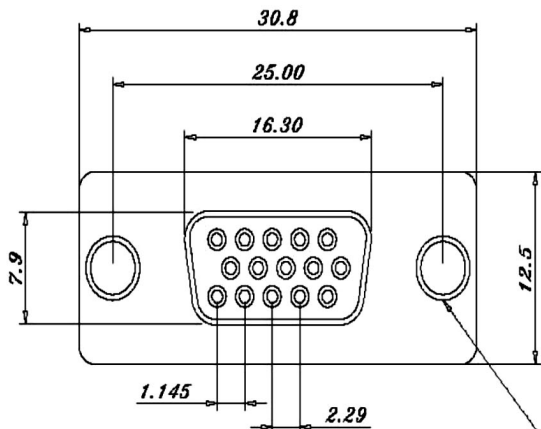
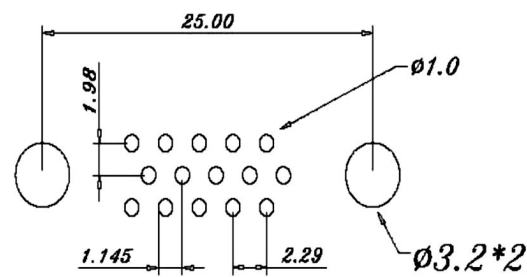
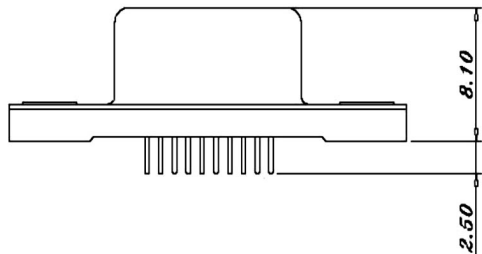


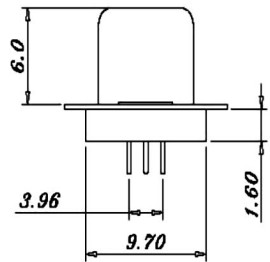
HD 15PIN FEMALE



4#40*2



P.C.B.LAYOUT



MATERIAL

Insulator :Nylon-46 (UL94V-0)
 Contact :Socket Is Phosphor Bronze ,Plug Is Brass
 Contact Plated :Cold over Nickel
 Shell :Steel,Nickel plated

SPECIFICATION

Current Rating :5 Amps
 Insulator Resistance:1000MΩ Min.at 500V DC
 Withstanding Voltage :500V AC/minute
 Operating Temperature :-55°C to +105°C
 Contact Resistance :20mΩ Max.

RoHS
Compliant

HSM 玄茂科技股份有限公司
HSUAN MAO TECHNOLOGY CO., LTD.

APPD. 核准	Angel
DWG. 製圖	Yumi
DATE 制表日	2009/12/29

SCALE 比例	參考
UNIT 單位	MM
PAGE 張數	1 OF 1

TOLERANCE 容許公差	.00 ± ANG. ±
SIZE 紙張尺寸	A 4
REV. 版次	A

PART NAME 品名
 D-SUB H.D. PCB STRAIGHT FOR
 NOTEBOOK 15P FEMALE THREAD RIVET
 NON ACCESSORIES BLACK LOW-LEAD

PART NO.
料號 C0522-15FAAXXBR