

1 2 3 4 5 6 7 8

A

A

B

B

C

C

D

D

E

E

F

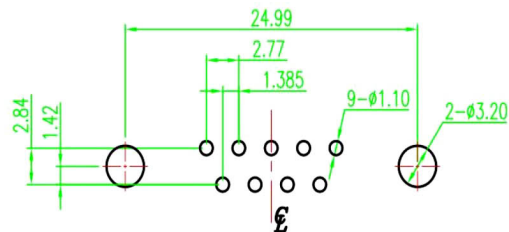
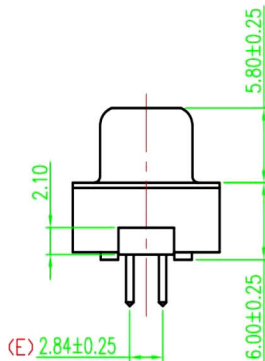
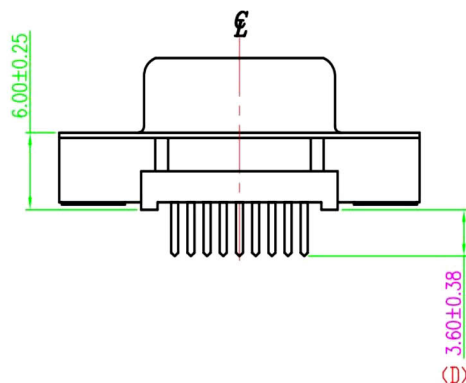
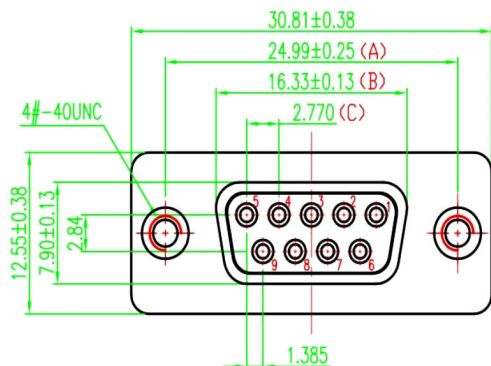
F

G

G

H

H



RECOMMENDED P.C.B LAYOUT
INSPECTION DIMENSION:(A)~(E)

SPECIFICATIONS

1. D-SUB
- 1.1 Voltage: 250 VAC(RMS) Max.
- 1.2 Current Rating: 3 Ampere per Contact
- 1.3 Contact Resistance: 25 Milliohms Max.
- 1.4 Insulation Resistance: 5000 Megohms Min.
- 1.5 Dielectric Withstanding Voltage: 1000V AC(RMS)
- 1.6 Total Mating Force: 4.0 Kgf Max.
- 1.7 Total Unmating Force: 1.0 Kgf Min.
- 1.8 Operating Temperature: -55°C to +85°C

NOTES

1. MATERIAL:
 - Housing:PBT, UL 94V-0, Color:Black.
 - Terminal:Copper Alloy.
 - Shell:SPCC.
 - Rivet:Copper Alloy.
2. FINISH:
 - Terminal:Gold Plated over Nickel at Contact Area.
 - Tin Plated over Nickel at Solder Ared.
 - Rivet:Nickel Plated.

RoHS Compliant		HSM 玄茂科技股份有限公司 HSUAN MAO TECHNOLOGY CO., LTD.	
APPD. 核准 Betty		TOLERANCE 容許公差	PART NAME 品名
DWG. 製圖 Betty		SCALE 比例 參考	D-SUB PCB STRAIGHT TYPE STAMPED PIN FRONT METAL-SHELL 9P FEMALE WITH 4-40 THREADED HOLE NON ACCESSORIES SELECTIVE GOLD PLATING BLACK COLOR ROHS
DATE 制表日 2012/04/05	UNIT 單位 M M	SIZE. 紙張尺寸 A 4	PART NO.
	PAGE 張數 1 OF 1	REV. 版次 A	料號 C0543-09FCAXSBR

1 2 3 4 5 6 7 8