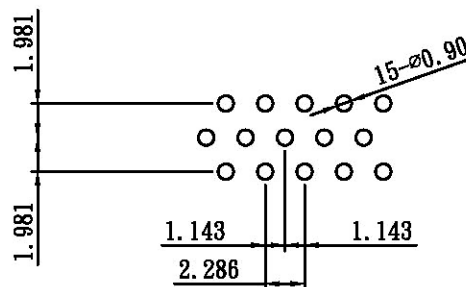
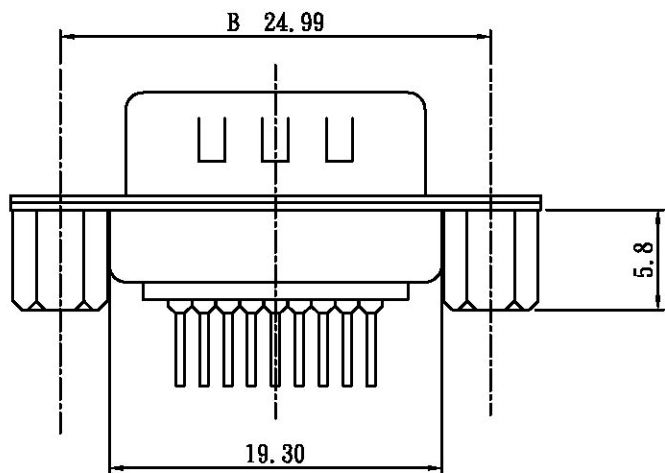


MATERIAL:
 Insulator: PBT+30% Glass Fiber
 UL94V-0
 Pin contacts: Brass or Phosphor Bronze
 Gold Plated & Tin plated
 Shell: Steel, SPCC
 Nickel & Tin Plated

ELECTRICAL DATA:
 Rated Voltage: 350V AC
 Rated Current: 5A
 Withstand Voltage: 500V AC(RMS)
 Insulation Resistance: Over 1000MΩ
 Contact Resistance: 5MΩ AT 1A
 Temperature: -40°C ~ +100°C



P. C. BOARD LAYOUT

公差 序号 尺寸	A±0.13	B±0.10	C±0.13	D ^{+0.05} _{-0.10}	E±0.13	F±0.13	G±0.10
15P	30.80	25.00	16.90	7.80	8.30	12.50	7.80
26P	39.20	33.30	25.25	7.80	8.30	12.50	15.20
44P	53.05	47.05	38.95	7.80	8.30	12.50	26.60
62P	69.40	63.50	55.40	7.80	8.30	12.50	41.80
78P	67.00	61.00	52.80	10.80	11.15	15.30	41.80

RoHS Compliant	HSM 玄茂科技股份有限公司 HSUAN MAO TECHNOLOGY CO., LTD.	
	APPD. SCALE DWG. Helen DATE 2017/11/14	 参考 UNIT M M PAGE 1 OF 1
PART NAME 品名 H. D. D-SUB PCB STRAIGHT STAMPED PIN XYP MALE REAR RIVET 5.8mm OPEN HEX RIVET (TIN OR NICKEL SHELL+DIMPLE) ROHS		
PART NO. 料號 C0561-XXMDE(A, B)XXR		