

ELECTRICAL CHARACTERISTICS:

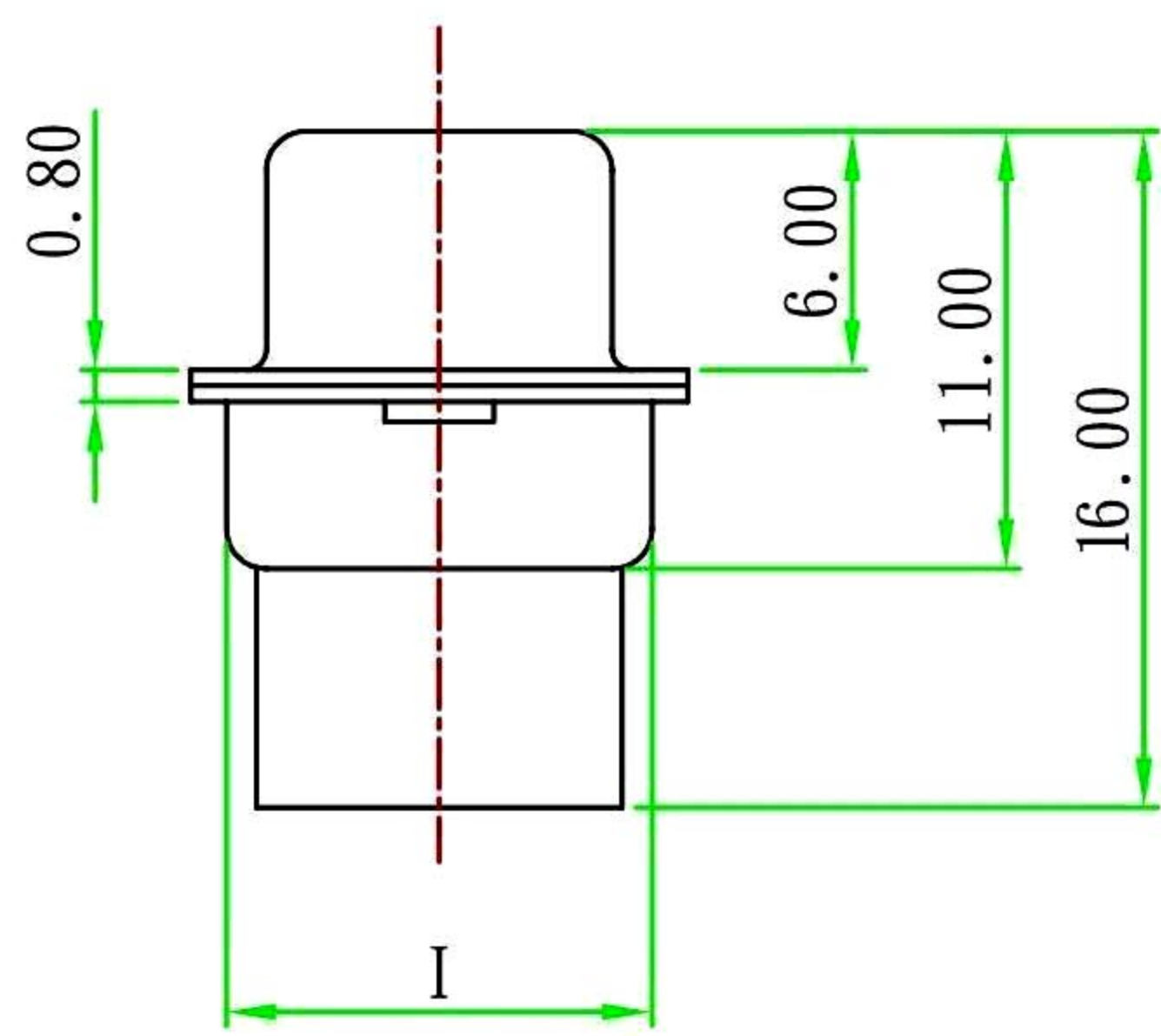
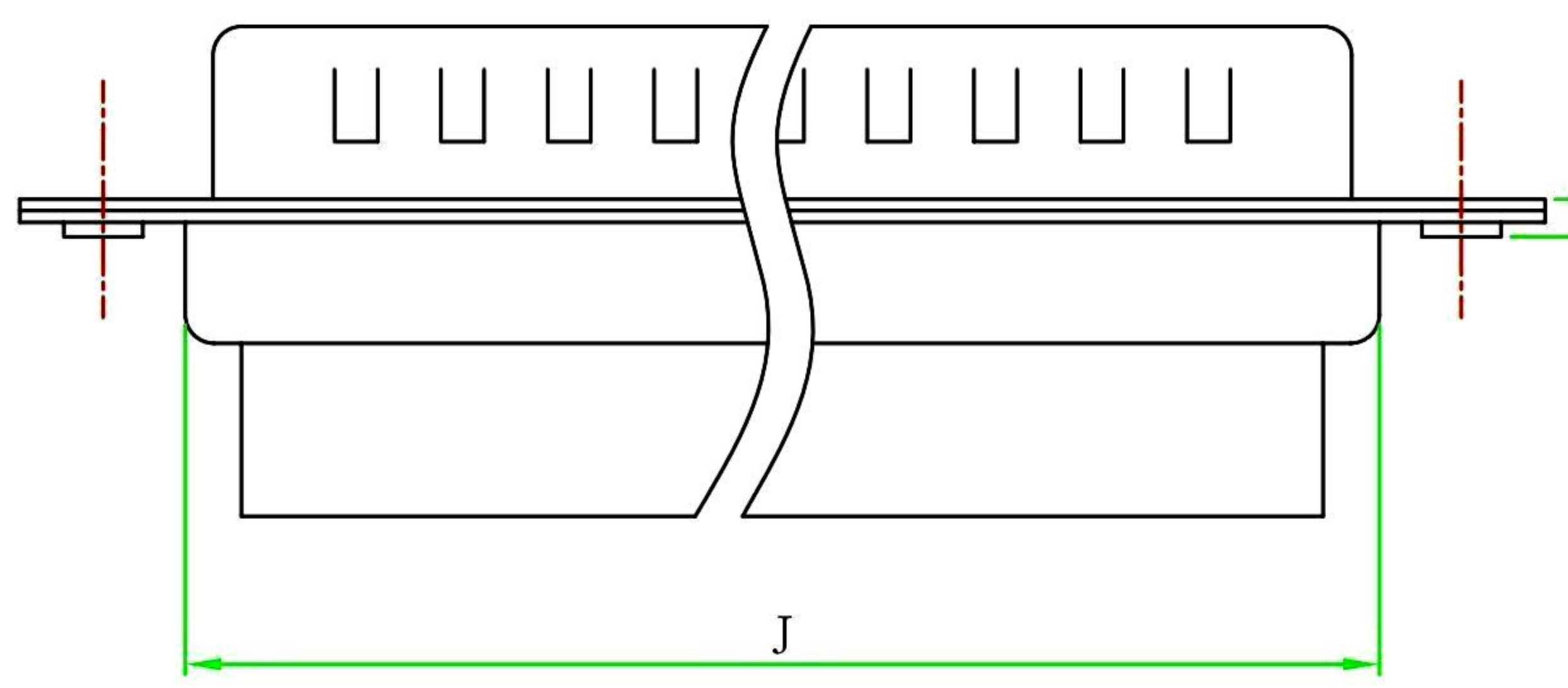
CONTACT CURRENT RATING: 1 AMPERES.
 DIELECTRIC WITHSTANDING VOLTAGE: AC 500V R. M. S.
 INSULATION RESISTANCE: 500 MEGOHMS MINIMUM AT DC 500V
 CONTACT RESISTANCE: 30 MILLIOHMS MAXIMUM
 OPERATING TEMPERATURE: -55°C TO +105°C

MATERIALS:

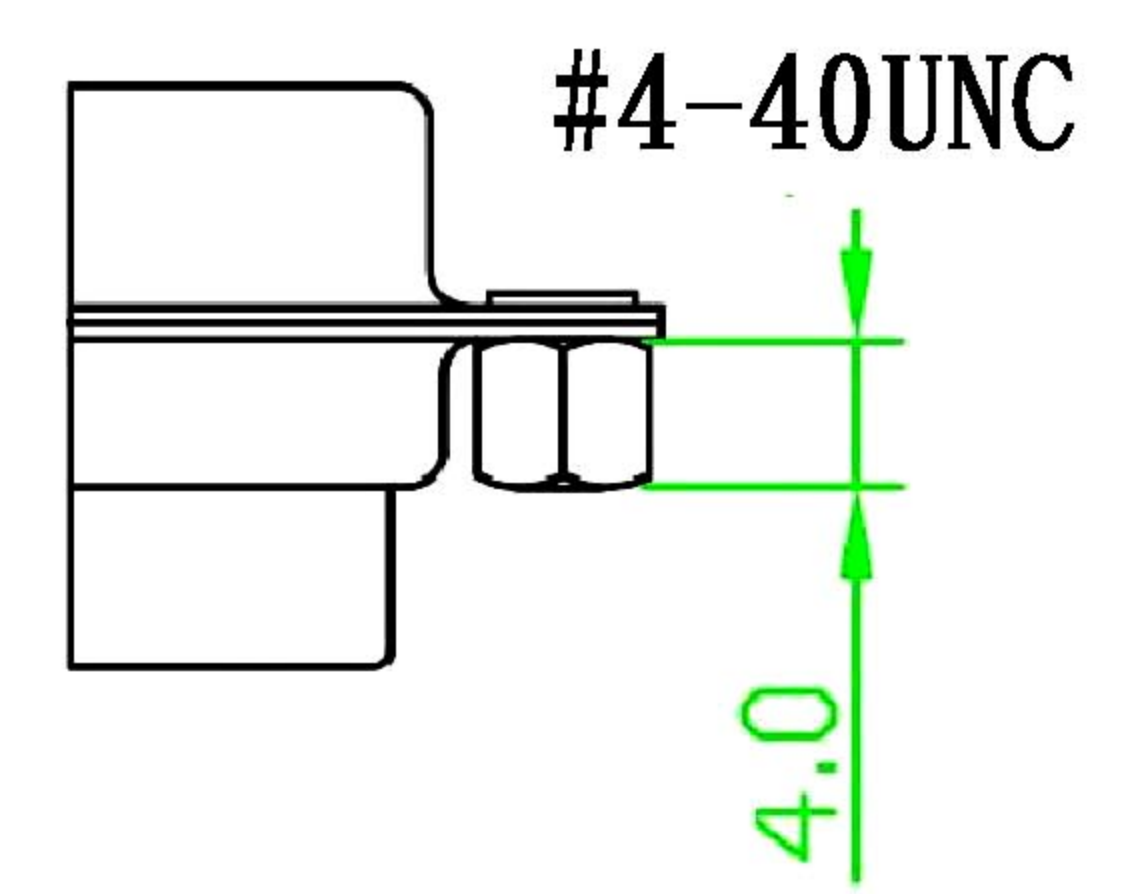
CONTACT: BRASS
 INSULATOR: P. B. T. UL94V-0 RATED
 SHELL: STEEL

FINISHES:

SHELL: NICKEL PLATED.



Renr Rivet + Fired Screws



M/F DIM	A	B	C	D	E	F	G	H	I	J
15P	16.90	25.00	30.80	8.40	12.50	7.039	2.286	1.981	10.70	19.30
26P	25.30	33.30	39.10	8.40	12.50	6.871	2.286	1.981	10.70	27.50
44P	39.00	47.00	53.00	8.40	12.50	6.863	2.286	1.981	10.70	41.30
62P	55.40	63.50	69.30	8.40	12.50	6.998	2.413	1.981	10.70	57.70
78P	52.90	61.10	66.90	11.20	15.40	7.627	2.413	2.083	13.60	55.30

**RoHS
Compliant**

**HSM 玄茂科技股份有限公司
Hsuan Mao Technology CO., LTD.**

APPD.		TOLERANCE	PART NAME 品名
DWG. IVY	SCALE 參考	.0 ± .00 ± ANG. ±	HIGH DENSITY D-SUB CRIMPING HOUSING XXP 公
DATE 2016/8/26	UNIT M M	SIZE. A 4	後鉚3.8mm(4mm)通孔六角螺母 鍍殼打點 黑膠
	PAGE 1 OF 1	REV. C	符合ROHS
			PART NO. C0563-XXMCEBBOR
			料號