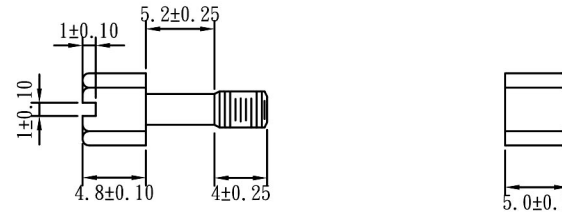
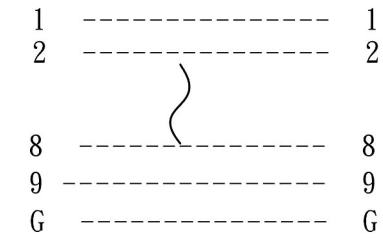


UNC #4-40 Hexscrew UNC #4-40 Hexnut



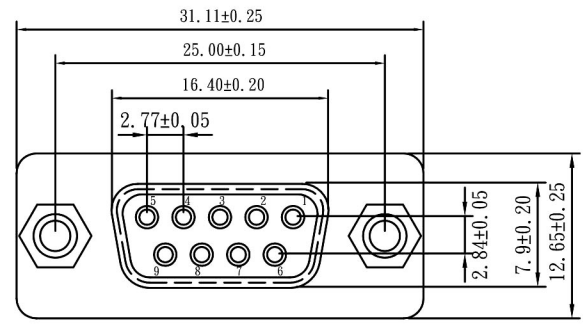
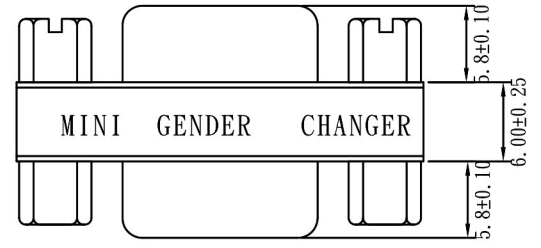
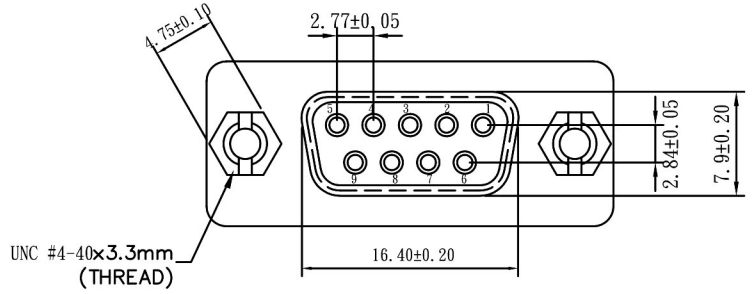
DGC 09 F/F GENDER CHANGER

PIN OUT: 9Female 9Female



Label: yellow color with black character
 One side: MINI GENDER CHANGER
 The other side: U.S.A. PATENT 5199906 GENDER CHANGER

SPECIFICATION
 INSULATOR: PBT Glass fibre reinforced UL 94 V0(blue)
 CONTACT: Brass
 CONTACT PLATING: Gold plated over nickel
 SHELL: Tin Plated Shell



**RoHS
Compliant**

HSM 玄茂科技股份有限公司
HSUAN MAO TECHNOLOGY CO., LTD.

APPD.	 SCALE 参考 UNIT M M	TOLERANCE .0 ± .00 ± ANG. ±	PART NAME 品名
DWG. Karen		SIZE. A 4	D-SUB GENDER CHANGER MINI TYPE 9P FEMALE/9P FEMALE WITH YELLOW LABEL FULL GOLD PLATING BLUE INSULATOR ROHS
DATE 2012/08/08	PAGE 1 OF 1	REV. B	PART NO. 料號 C0564-09CAYGL0R