

**MATERIAL & FINISH**  
SHELL :  
STEEL TIN PLATED

**PIN CONTACT :**  
BRASS  
GOLD PLATED OVER NICKEL

**INSULATOR :**  
PBT & GLASS-FIBRE REINFORCED

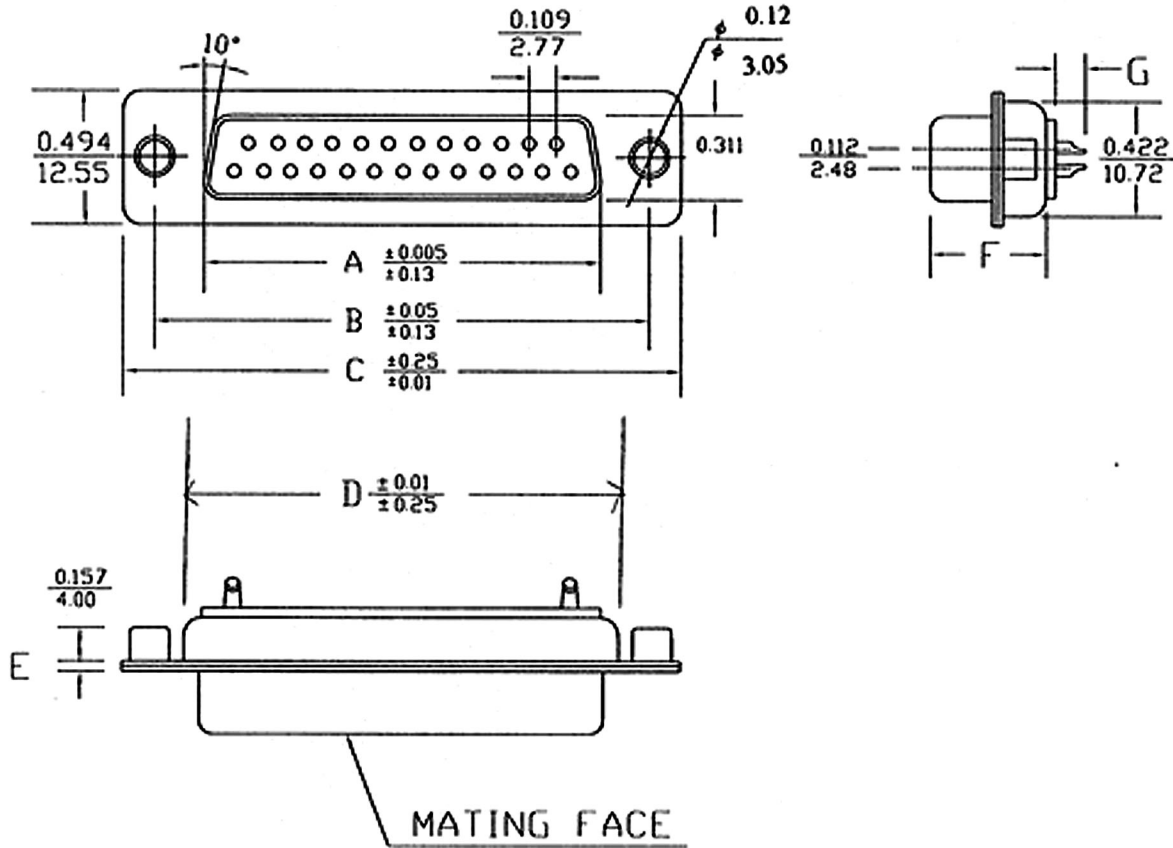
**NUMBER OF CONTACT :**  
9, 15, 25, 37, 50

**CURRENT RATING :**  
5 amp.

**DIELECTRIC STRENGTH :**  
1000V FOR ONE MINUTE

**INSULATOR RESISTANCE :**  
1000MΩMIN. at 500V DC

**TEMPERATURE :**  
-55° C ~ +105° C



ITEM NO.	A	B	C	D	E	F	G
9	16.33(0.643)	24.99(0.984)	30.81(1.213)	19.28(0.759)	1.0(0.0394)	10.8(0.425)	2.30(0.091)
15	24.66(0.971)	33.32(1.312)	39.14(1.541)	27.51(1.083)	1.0(0.0394)	10.8(0.425)	2.30(0.091)
25	38.38(1.511)	47.04(1.852)	53.04(2.088)	41.30(1.625)	1.0(0.0394)	10.8(0.425)	2.30(0.091)
37	54.84(2.159)	63.50(2.500)	69.32(2.729)	57.71(2.272)	1.0(0.0394)	10.8(0.425)	2.30(0.091)
50	52.34(2.060)	61.11(2.406)	66.92(2.634)	55.30(2.177)	1.0(0.0394)	10.8(0.425)	2.30(0.091)

<b>RoHS Compliant</b>		<b>HSM 玄茂科技股份有限公司</b>		<b>HSUAN MAO TECHNOLOGY CO., LTD.</b>	
APPD. 核准		TOLERANCE 容許公差	PART NAME 品名		
DWG. 製圖	Hedy	SCALE 比例 參考	D-SUB SOLDER TYPE MACHINED PIN XXP FEMALE		
DATE 制表日	2018/04/20	UNIT 單位 M M	REAR RIVET 3.8mm OPEN HEX NUT TIN SHELL		
		PAGE 張數 1 / 1	GOLD FLASH PLATING WHITE OR BLACK INSULATOR ROHS		
			PART NO. 料號 C0570-XXFCETGXR		