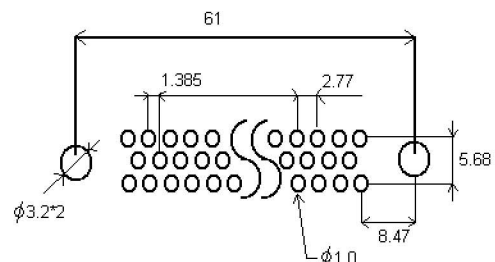
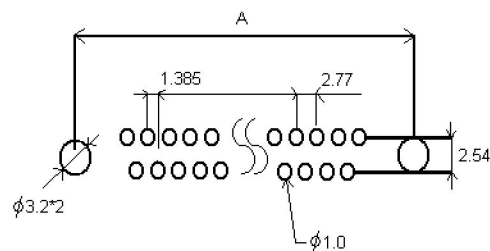
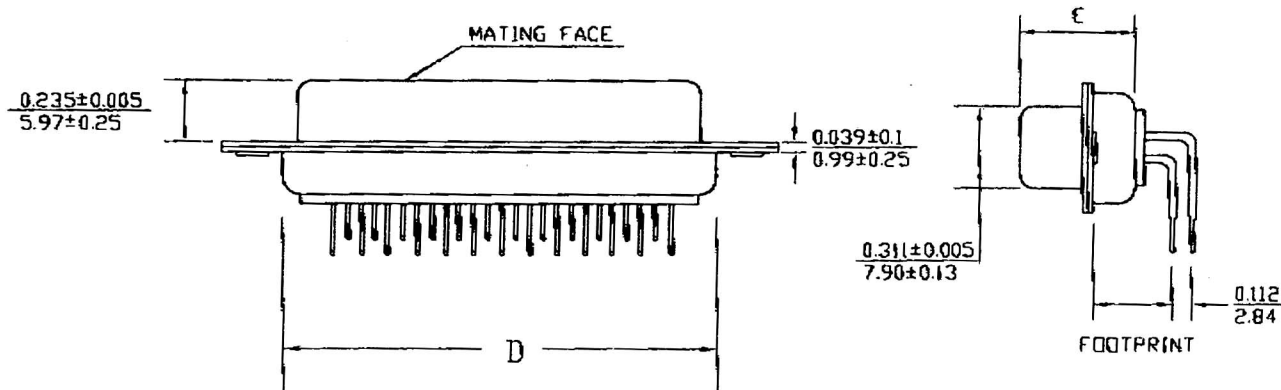
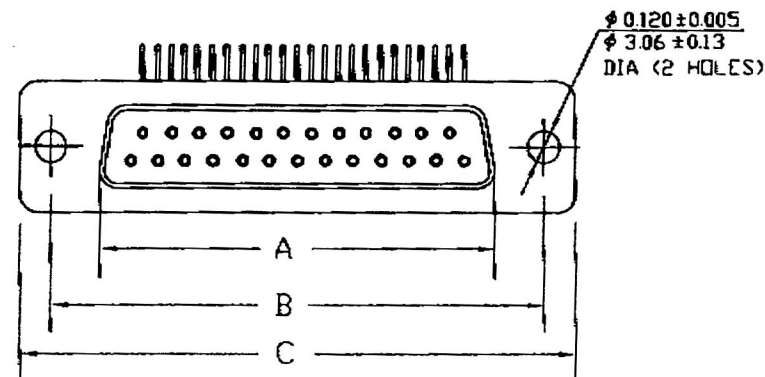


D-SUB MACHINED PIN CONNECTOR,
RIGHT ANGLE TYPE

DIMENSIONS(FEMALE)

SHELL SIZE	A	B	C	D	E
	0.010 0.25	0.005 0.13	0.015 0.38	0.010 0.25	0.015 0.38
9	0.643 16.33	0.984 24.99	1.213 30.81	0.759 19.28	0.429 10.9
15	0.971 24.66	1.312 33.32	1.541 39.14	1.083 27.55	0.429 10.9
25	1.511 38.38	1.852 47.04	2.088 53.04	1.625 41.28	0.429 10.9
37	2.159 54.84	2.5 63.5	2.729 69.32	2.272 57.71	0.429 10.9
50	2.064 52.43	2.406 61.1	2.635 66.93	2.178 55.32	0.429 10.9

FOOT-PRINT	0.370 9.40
------------	---------------



POSITION	A
9P	25.00
15P	33.30
25P	47.10
37P	63.50

EDGE OF PC BOARD
FEMALE/MALE
9P/15P/25P/37P

50 position FEMALE/MALE

RoHS Compliant		HSM 玄茂科技股份有限公司 HSUAN MAO TECHNOLOGY CO., LTD.	
APPD. 核准 HELEN		TOLERANCE 容許公差 .0 ± .00 ± ANG. ±	PART NAME 品名 D-SUB PCB RIGHT ANGLE TYPE 9.4mm MACHINED PIN XXP FEMALE WITHOUT BRACKET NON ACCESSORIES NICKEL SHELL GOLD PLATING WHITE COLOR ROHS
DWG. 製圖 ABBY	SCALE 比例 參考	UNIT 單位 MM	PART NO. 料號 C0573-XXFAANGWR
DATE 制表日 2012/11/19	PAGE 張數 1 / 1	REV. 版次 A	