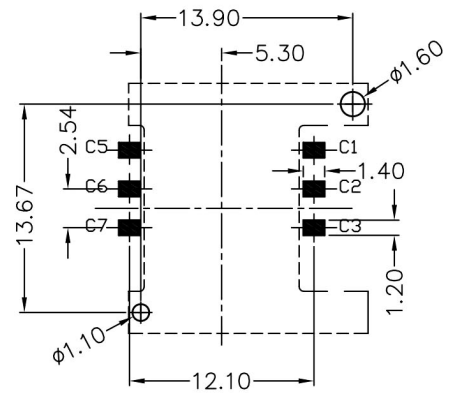
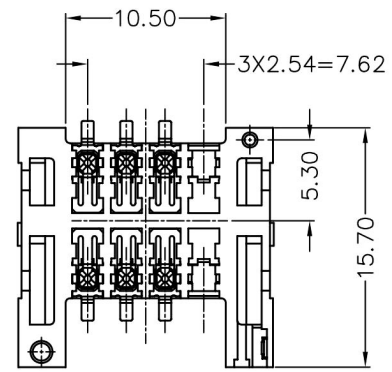
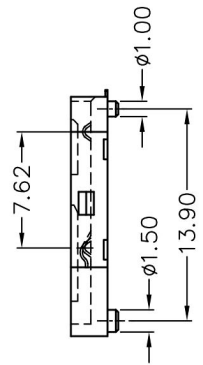
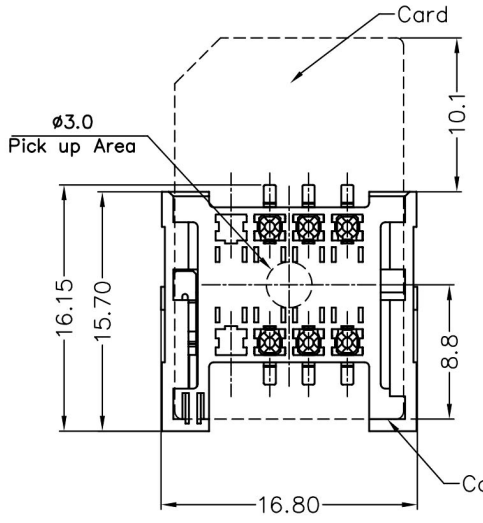
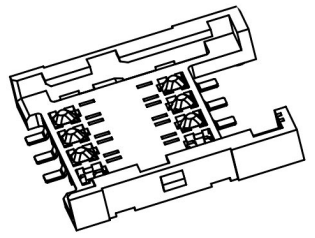
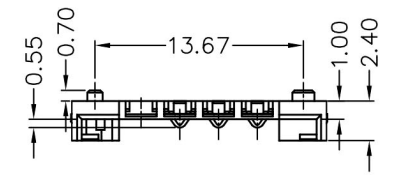


1 2 3 4 5 6 7 8

A  
B  
C  
D  
E  
F  
G  
H

A  
B  
C  
D  
E  
F  
G  
H



P.C.B LAYOUT(Tolerance:±0.05mm)

Specification

- 1.General Characteristics :
  - . Contact Principle: Friction Technology
  - . Mounting System : SMT
  - . Durability 10,000 Cycles Min.
- 2.Material
  - . Data Contacts Material : Phosphor Bronze.
  - . Data Contacts Plating : Gold Or Pd Over Nickel
  - . Insulation Material : Thermoplastic UL 94V-0
- 3.Electrical Characteristics
  - . Contact Resistance:50 Milliohms Max.
  - . Insulator Resistance:>1000 Megohms/500V DC
- 4.Solderability
  - . Wave : Not Applicable
  - . Vapor Phase : 215°C, 30 Sec. Max.
  - . IR Reflow : 260°C, 15 Sec. Max.
  - . Manual Soldering : 360°C, 3 Sec. Max.
- 5.Environmental Characteristics
  - . Operating Temperature: -40°C~+85°C
  - . Operating Humidity:10%~95% RH
  - . Storage Temperature : -40°C To +85°C
  - . Storage Humidity:10%~95% RH
- 6.RoHS Compliant

RoHS Compliant		<b>玄茂科技股份有限公司</b> <b>HSUAN MAO TECHNOLOGY CO., LTD.</b>	
APPD. 核准	BETTY	UNLESS OTHERWISE SPECIFIED TOLERANCES ARE .X ±0.38 .XX ±0.25 ANG. ±1°	PART NAME 品名
DWG. 製圖	BETTY		SIM CARD SLIDE IN TYPE 6PIN SMT RIGHT ANGLE TYPE ROW PITCH=12.1MM H=2.4MM WITH LOCATING PEG & WITHOUT SWITCH TUBE PACKING ROHS
DATE 制表日	2011/03/17	SCALE 比例 參考	PART NO. 料號
		UNIT 單位 MM	C0610-06BBDXBTR
		PAGE 張數 1 OF 1	
		REV. 版次 A	

1 2 3 4 5 6 7 8