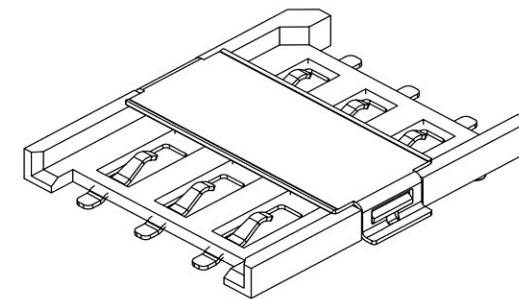


RECOMMENDED PCB LAYOUT
TOLERANCE ± 0.05



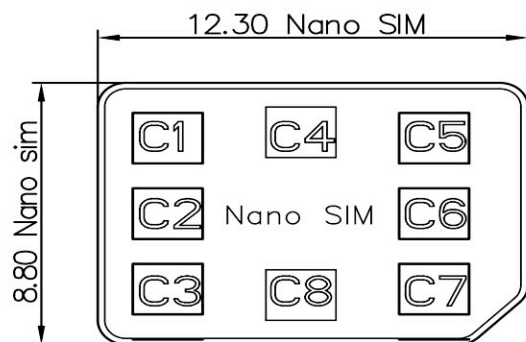
3D VIFW

NOTES:

- Material:**
Housing: hi-temperature plastic, UL94v-0;
Contact: copper alloy;
Shell: stainless steel.
- Finish:**
Contact: gold flashed allover and nickel under-plated allover.
- Electrical specifications:**
Contact resistance: 30m Ohm MAX.
Voltage rating (SELV): 15Vdc MAX.
Current rating: 1A
Dielectric strength: 500Vrms min. 1 MIN.
Insulation resistance: 10M Ohm MIN.
- Climatic characteristics:**
Operation temperature: -40°C to $+85^{\circ}\text{C}$
- Mechanical specifications:**
Contact force nominal: 20-50cn
Mechanical lifetime: 3,000 mating cycles MIN.

PIN ASSIGNMENT TABLE:

PIN NO.	PIN NAME
C1	VCC
C2	RST
C3	CLK
C4	N/A
C5	GND
C6	VPP
C7	I/O
C8	N/A



RoHS
Compliant

HSM 玄茂科技股份有限公司
HSUAN MAO TECHNOLOGY CO., LTD.

APPD. 核准		TOLERANCE 容許公差	PART NAME 品名
DWG. 製圖		SCALE 比例	
DATE 制表日	Helen	UNIT 單位	PART NO. 料號
2016/1/28	2016/1/28	M M 廠牌尺寸	
		PAGE 張數	
		1 OF 1	
		REV. 版本	
		B	