

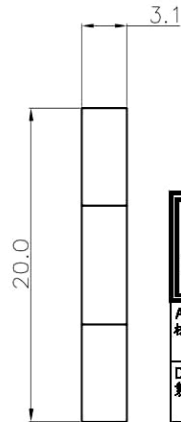
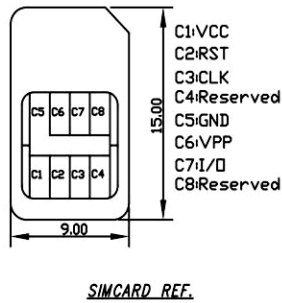
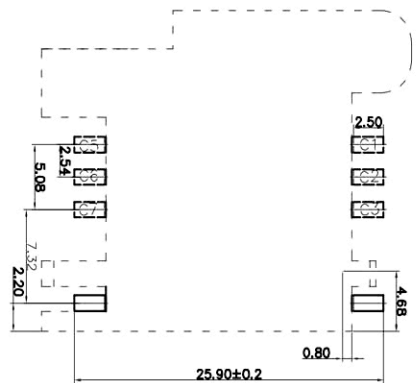
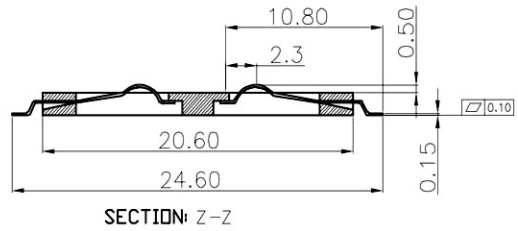
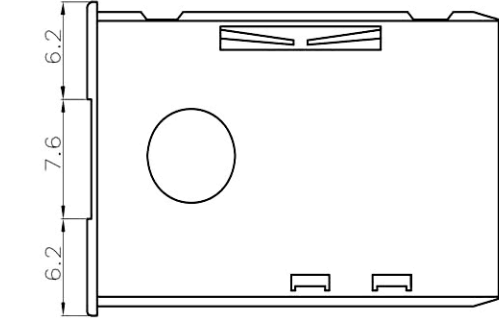
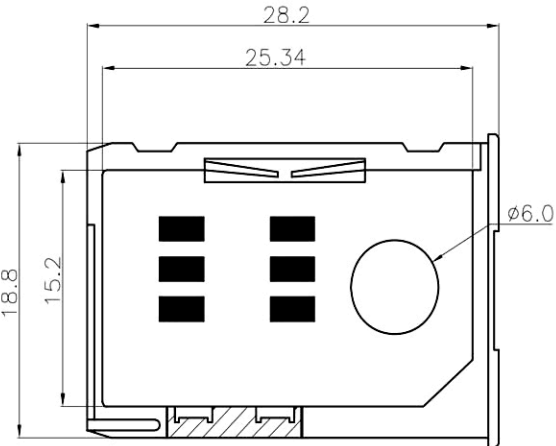
1.SPECIFICATIONS:

INSULATION RESISTANCE: 500M min. AT DC 500V
 WITHSTANDING VOLTAGE: 250V ACrms FOR 1 MINUTE
 CONTACT RESISTANCE: 100mΩ max.
 CURRENT RATING: 0.5A
 VOLTAGE RATING: 5.0 vrms
 OPERATING TEMP.RANGE:-55°C~+85°C
 MATING CYCLES: 5,000 INSERTIONS

2.MATERIAL:

INSULATOR: HI-TEMPERATURE PLASTIC,UL 94V-0, BLACK
 TERMINAL: COPPER ALLOY,T=0.15mm
 SWITCH: COPPER ALLOY,T=0.10mm
 FINISH: 3U" MIN GOLD PLATING ON ALL CONTACT AREAS,AND 120U" TIN
 PLATED,50-100U" NICKEL UNDERPLATED.

CUSTOMER DRAWING



RoHS Compliant		HSM 玄茂科技股份有限公司 HSUAN MAO TECHNOLOGY CO., LTD.	
APPD. 核准 DWG. 製圖 DATE 制表日 2017/8/23	SCALE 比例 Helen UNIT 單位 M M PAGE 張數 1 OF 1	TOLERANCE 容許公差 0 ± 0.35 .00 ± 0.25 ANG. ± 3° SIZE 紙張尺寸 A 4 REV. 版本 A	PART NAME 品名 SIM CARD CONNECTOR WITH HOLDER 6PIN SMT TYPE SELECTIVE GOLD 3U" PLATING BLACK COLOR ROHS PART NO. 料號 C0652-06DPBX00R