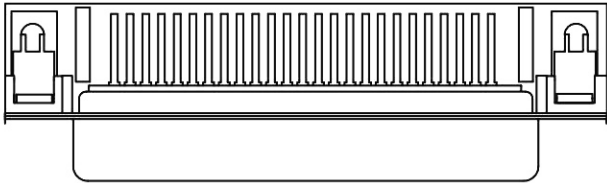


1 2 3 4 5 6 7 8

A

A

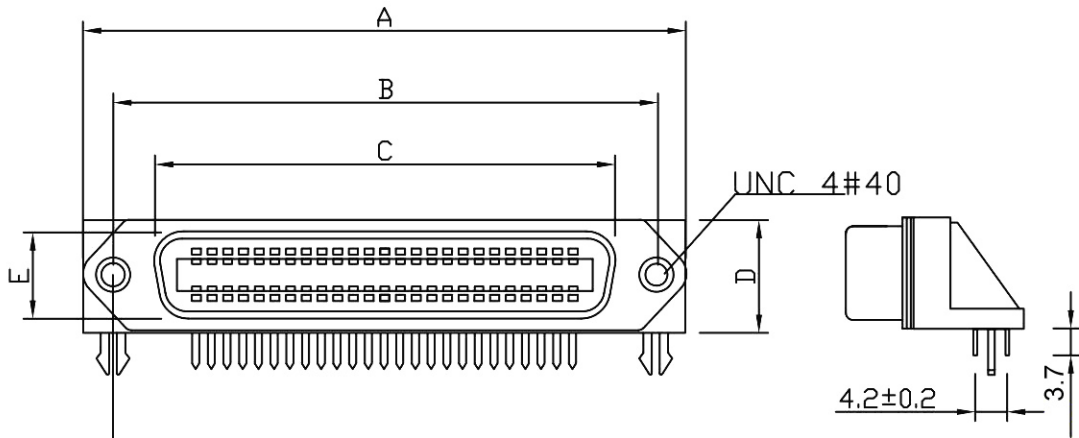


B

B

C

C



D

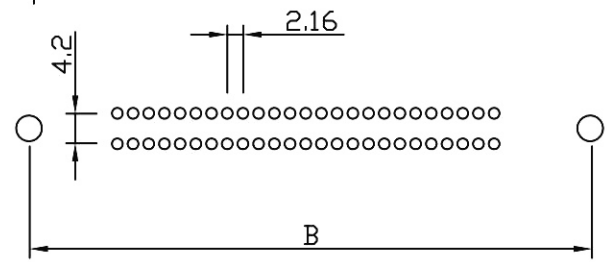
D

E

E

F

F



G

G

P.C.B. LAYOUT

ELECTRICAL CHARACTERISTICS:

CONTACT CURRENT RATING: 1 AMPERES.
 DIELECTRIC WITHSTANDING VOLTAGE: AC 500V R.M.S
 INSULATION RESISTANCE: 500 MEGOHMS MINIMUM AT DC 500V.
 CONTACT RESISTANCE: 30 MILLIOHMS MAXIMUM.
 OPERATING TEMPERATURE: -55C TO 105C.

MATERIALS:

CONTACT: BRASS..
 INSULATOR: P.B.T. UL 94-V0 RATED.
 SHELL: COLD ROLLED STEEL.

FINISHES:

CONTACTS: SELECTIVE GOLD PLATED
 SHELL: NICKEL PLATED.

PART NO.	A±0.2	B±0.2	C±0.2	D±0.03	E±0.2
14P	43.92	35.99	25.2	15.5	11.9
24P	54.71	46.79	36.0	15.5	11.9
36P	67.69	59.74	48.9	15.5	11.9
50P	82.78	74.85	64.0	15.5	11.9

RoHS
Compliant

HSM 玄茂科技股份有限公司
HSUAN MAO TECHNOLOGY CO., LTD.

APPD. 核准 BETTY
 DWG. 製圖 ABBY
 DATE 制表日 2012/12/05

SCALE 比例 參考
 UNIT 單位 MM
 PAGE 張數 1 OF 1

TOLERANCE 容許公差
 0 ± 0.2
 .00 ±
 ANG ±
 SIZE 紙張尺寸 A4
 REV. 版本 A

PART NAME 品名
 CENTRONIC PCB 90°XXF
 RIVET W/BOARDLOCK W/O LATCH
 SELECTIVE GOLD PLATING
 BLUE INSULATOR ROHS LOW-LEAD

PART NO. 料號 C0713-XXFABSL0R

H

H

1 2 3 4 5 6 7 8