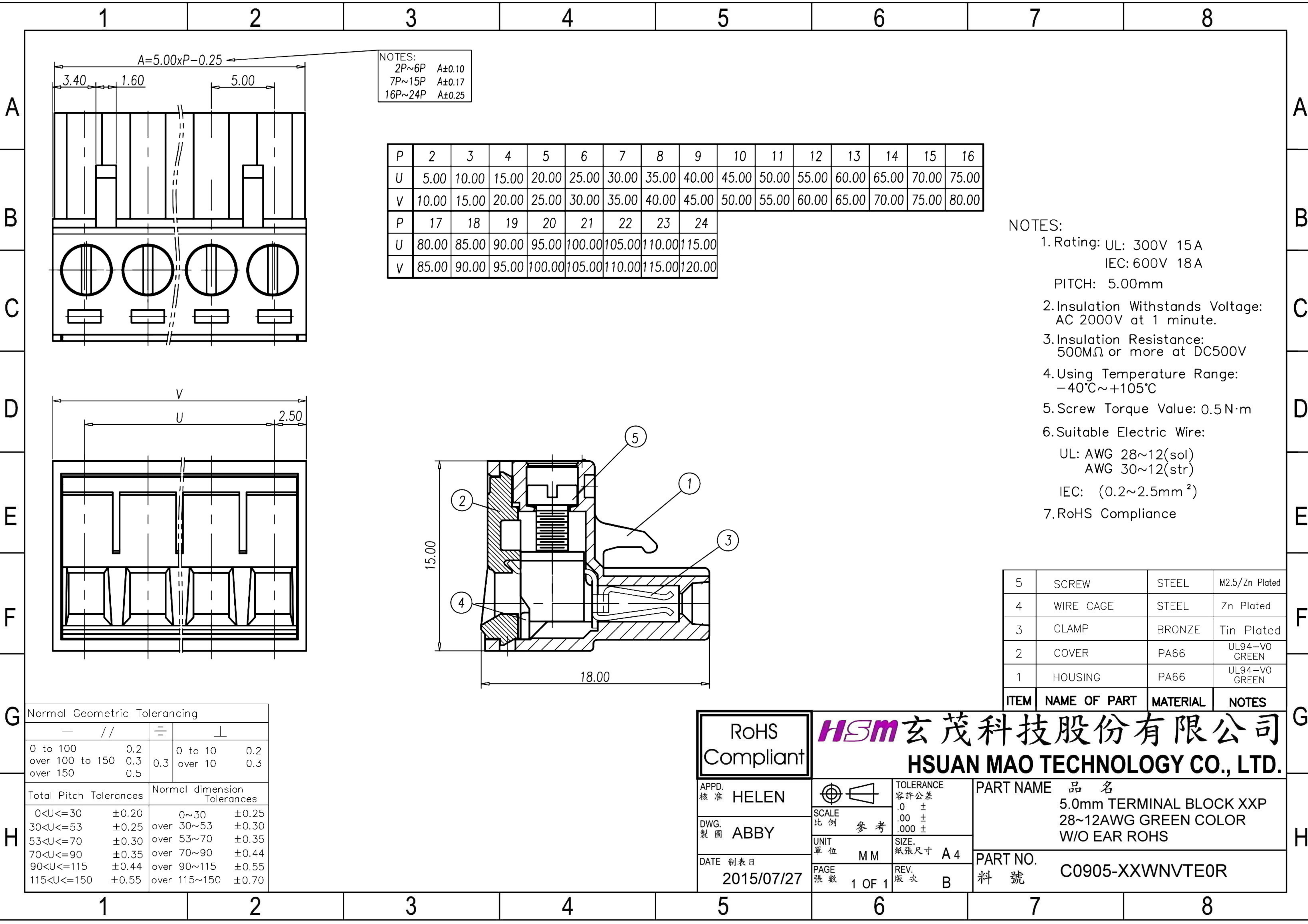
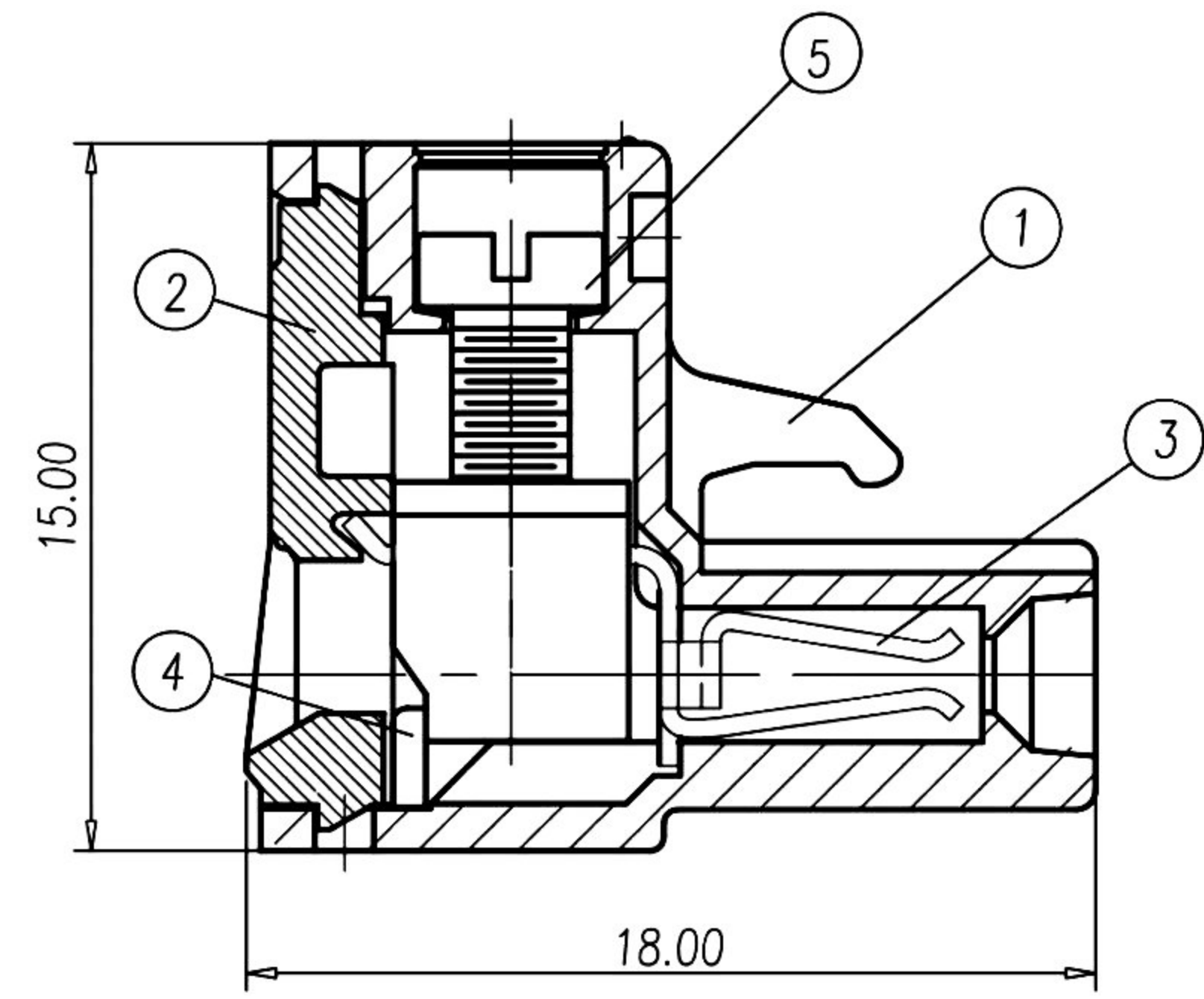


NOTES:
 2P~6P A±0.10
 7P~15P A±0.17
 16P~24P A±0.25

P	2	3	4	5	6	7	8	9	10	11	12	13	14	15	16
U	5.00	10.00	15.00	20.00	25.00	30.00	35.00	40.00	45.00	50.00	55.00	60.00	65.00	70.00	75.00
V	10.00	15.00	20.00	25.00	30.00	35.00	40.00	45.00	50.00	55.00	60.00	65.00	70.00	75.00	80.00
P	17	18	19	20	21	22	23	24							
U	80.00	85.00	90.00	95.00	100.00	105.00	110.00	115.00							
V	85.00	90.00	95.00	100.00	105.00	110.00	115.00	120.00							

- NOTES:
- Rating: UL: 300V 15A
IEC: 600V 18A
PITCH: 5.00mm
 - Insulation Withstands Voltage: AC 2000V at 1 minute.
 - Insulation Resistance: 500MΩ or more at DC500V
 - Using Temperature Range: -40°C~+105°C
 - Screw Torque Value: 0.5N·m
 - Suitable Electric Wire:
UL: AWG 28~12(sol)
AWG 30~12(str)
IEC: (0.2~2.5mm²)
 - RoHS Compliance

5	SCREW	STEEL	M2.5/Zn Plated
4	WIRE CAGE	STEEL	Zn Plated
3	CLAMP	BRONZE	Tin Plated
2	COVER	PA66	UL94-V0 GREEN
1	HOUSING	PA66	UL94-V0 GREEN
ITEM	NAME OF PART	MATERIAL	NOTES



Normal Geometric Tolerancing

—	//	≡	⊥
0 to 100	0.2	0 to 10	0.2
over 100 to 150	0.3	over 10	0.3
over 150	0.5		
Total Pitch Tolerances	Normal dimension Tolerances		
0<U<=30	±0.20	0~30	±0.25
30<U<=53	±0.25	over 30~53	±0.30
53<U<=70	±0.30	over 53~70	±0.35
70<U<=90	±0.35	over 70~90	±0.44
90<U<=115	±0.44	over 90~115	±0.55
115<U<=150	±0.55	over 115~150	±0.70

RoHS Compliant

HSM 玄茂科技股份有限公司
HSUAN MAO TECHNOLOGY CO., LTD.

APPD. 核准 HELEN	TOLERANCE 容許公差 .0 ± .00 ± .000 ±	PART NAME 品名 5.0mm TERMINAL BLOCK XXP 28~12AWG GREEN COLOR W/O EAR ROHS
DWG. 製圖 ABBY	SCALE 比例 參考 UNIT 單位 MM PAGE 張數 1 OF 1	
DATE 制表日 2015/07/27	SIZE 紙張尺寸 A4 REV. 版次 B	
		PART NO. 料號 C0905-XXWNVTE0R